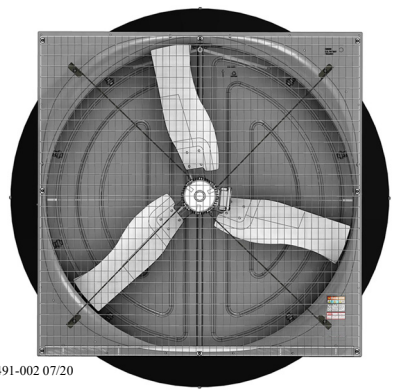
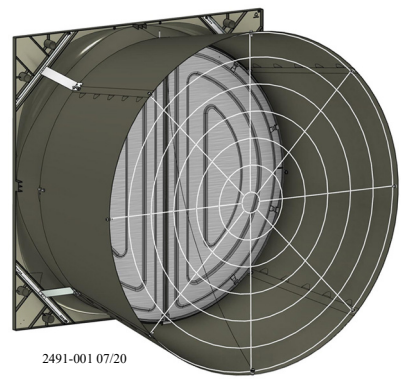




# 57" Assembled & Unassembled Direct Drive Endura<sup>®</sup> Fan



Installation and Operators Manual

Installation and Operators Manual

Fan Part No. 56555-X					
Fan	Bess Lab Test*	Phase	Voltage	Hz	Full Speed RPM
56555-1	20084	1	230	60	630
56555-2	20085	3	230	60	630
56555-2	20086	3	230	50	630

\*Bess Lab test data available at <http://bess.illinois.edu/type.asp>



Operating static pressure should be less than 0.25 inches water column [62 Pa].  
 The Fan Inlet and exhaust must be kept clear of obstructions. Failure to keep the Fan airflow path clear of obstructions could cause loss of Fan performance and Fan damage.

# Contents

<b>Topic</b>	<b>Page</b>
<b>Safety</b> .....	<b>3</b>
<b>Warning</b> .....	<b>3</b>
Personnel Requirements .....	3
<b>General Requirements</b> .....	<b>3</b>
<b>Safety Devices</b> .....	<b>3</b>
<b>Residual Risks</b> .....	<b>4</b>
Follow Safety Instructions .....	4
<b>Limited Warranty</b> .....	<b>5</b>
<b>Unassembled Fan Component Part Numbers</b> .....	<b>6</b>
<b>Assembled Fan Component Part Numbers</b> .....	<b>7</b>
<b>Tools Needed and Supplies</b> .....	<b>8</b>
<b>VFD Cross Reference Part Numbers</b> .....	<b>8</b>
<b>Endura® DD Fan New Installation Planning</b> .....	<b>9</b>
<b>Installation</b> .....	<b>10</b>
Inspecting the Shroud .....	10
Assembly Jig for Unassembled Fans .....	10
Install Motor Supports .....	11
Blade Installation .....	11
Shroud and Shroud Components Installation .....	12
Bottom Shelf Installation .....	14
Attaching the Fan to the Wall .....	14
Keeping Fan Shroud edges straight .....	15
Attaching the Fan Shroud to the Wall .....	15
Cone Assembly .....	16
Installing the Orifice Frame .....	17
Cone Installation .....	17
Door Assembly and Installation .....	19
Grill Installation .....	20
Check Blade Tip Clearance .....	21
Door Spring Installation .....	21
Caulking .....	22
Fan Drive (VFD) Mounting .....	22
Screen Installation .....	23
<b>Control Signal Wiring</b> .....	<b>24</b>
Drive Parameters .....	24
<b>Test Fan for proper operation</b> .....	<b>25</b>
<b>Maintenance</b> .....	<b>25</b>
<b>Parts Numbers (Itemized)</b> .....	<b>26</b>
<b>Part Numbers (Itemized) continued</b> .....	<b>28</b>

## Safety

### Warning



**This product has inherent dangers, which can cause damage or loss to persons or equipment if the warnings in this manual are not adhered to. Please read and follow all instructions.**

### Personnel Requirements



**This product must only be used by persons adequately trained in the hazards, dangers, and risks of the equipment.**

All users of this product must be trained in the following areas:

- Health and safety hazards relating to use of this machine throughout its entire life cycle
- Devices provided for safety of the operator
- Instructions for safe shutdown in case of emergency

The employer must assume the following responsibilities:

- To provide necessary personal protective equipment required
- To ensure normal maintenance operations are carried out
- To provide necessary repair parts in a timely manner

### General Requirements



Safety devices must remain in good working condition and may not be bypassed or rendered ineffective. The fan must not be operated with guards removed. All maintenance work must be done with electrical power isolated from the machine via proper device in accordance with local and national laws. The user must ensure that the environmental and electrical supply conditions in which the fan operates are within the limits specified in this manual or on product labels. Modification to this machine in any way are prohibited unless given written consent by CTB, Inc. Unauthorized modifications will render the warranty void and can lead to hazardous situations.

### Safety Devices



This machine has been designed to operate with fixed guards in order to protect users from physical hazards on both inlet and outlet sides of this fan. They were designed in accordance with national standards. They must not be altered. They must remain in their fixings at all times of operation. If damage or destruction should occur, exact replacements should be fitted immediately. **Reference the technical documentation section at the back of this manual** for more information.

At the time of installation, a proper device should be fitted in the direct vicinity of the fan to act as an emergency stop device. This device must be supplied by the installer. The device must be of a type to satisfy the emergency stop device requirements below.

EN-IEC 60204-1 Section 10.7.2:

- a push-button operated switch with a palm or mushroom head type

Section 10.7.3:

- actuators of emergency stop devices shall be colored RED.

## Residual Risks

Despite the level of caution taken and the incorporation of safeguards, some risks will remain. This product has the following hazards:

Hazard	Safeguard	Operator Requirement
Cutting or trapping Ejection of parts	Fixed guards	Maintain all fixed guards in proper location and good condition
Stability	Design Installation Instructions	Maintain product in good operating condition according to manual
Electrical shock	Warning Labels Installation Instructions	Maintain hazard decals in good readable condition Install and operate in accordance with instruction in manual
Noise	Design	Wear hearing protection if in vicinity of product for extended time periods
Transport and Handling	Instructions	Reference manual for precautions to take during transport or handling of this product

## Follow Safety Instructions

Carefully read all safety messages in this manual and on your equipment safety signs. Follow recommended precautions and safe operating practices.

Keep safety signs in good condition. Replace missing or damaged safety signs.





## Limited Warranty

Chore-Time Group, a division of CTB, Inc. (“Chore-Time”) warrants new CHORE-TIME Endura® Fans manufactured by Chore-Time to be free from defects in material or workmanship under normal usage and conditions, for One (1) year from the date of installation by the original purchaser (“Warranty”). Chore-Time provides for an extension of the aforementioned Warranty period (“Extended Warranty Period”) with respect to certain Product parts (“Component Part”) as set forth in the table below. If such a defect is determined by Chore-Time to exist within the applicable period, Chore-Time will, at its option, (a) repair the Product or Component Part free of charge, F.O.B. the factory of manufacture or (b) replace the Product or Component Part free of charge, F.O.B. the factory of manufacture. This Warranty is not transferable, and applies only to the original purchaser of the Product.

Component Part	Extended Warranty Period
Endura® Fan Housing and Cones (Including Composite Shrouds, Composite Doors and HDPE Cone Panels)	Five (5) Years

### CONDITIONS AND LIMITATIONS

THIS WARRANTY CONSTITUTES CHORE-TIME’S ENTIRE AND SOLE WARRANTY AND CHORE-TIME EXPRESSLY DISCLAIMS ANY AND ALL OTHER WARRANTIES, INCLUDING, BUT NOT LIMITED TO, EXPRESS AND IMPLIED WARRANTIES, INCLUDING, WITHOUT LIMITATION, WARRANTIES AS TO MERCHANTABILITY OR FITNESS FOR PARTICULAR PURPOSES. CHORE-TIME shall not be liable for any direct, indirect, incidental, consequential or special damages which any purchaser may suffer or claim to suffer as a result of any defect in the Product. Consequential or Special Damages as used herein include, but are not limited to, lost or damaged products or goods, costs of transportation, lost sales, lost orders, lost income, increased overhead, labor and incidental costs, and operational inefficiencies. *Some jurisdictions prohibit limitations on implied warranties and/or the exclusion or limitation of such damages, so these limitations and exclusions may not apply to you. This warranty gives the original purchaser specific legal rights. You may also have other rights based upon your specific jurisdiction.*

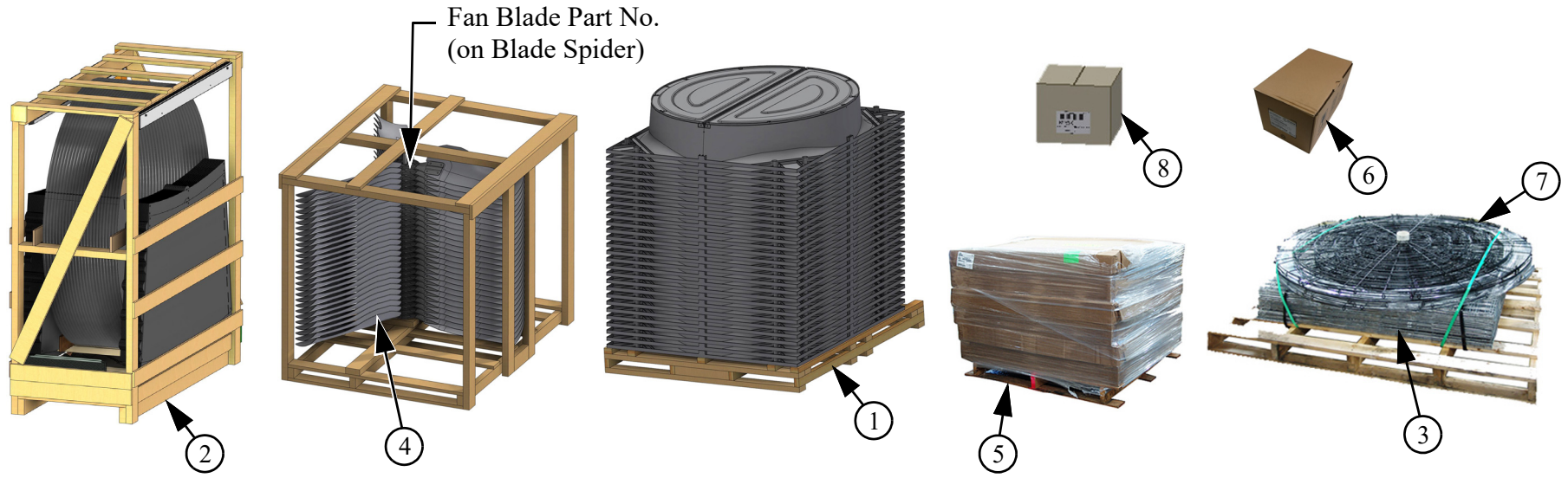
Compliance with federal, state and local rules which apply to the location, installation and use of the Product are the responsibility of the original purchaser, and CHORE-TIME shall not be liable for any damages which may result from non-compliance with such rules.

The following circumstances shall render this Warranty void:

- Modifications made to the Product not specifically delineated in the Product manual.
- Product not installed and/or operated in accordance with the instructions published by the CHORE-TIME.
- All components of the Product are not original equipment supplied by CHORE-TIME.
- Product was not purchased from and/or installed by a CHORE-TIME authorized distributor or certified representative.
- Product experienced malfunction or failure resulting from misuse, abuse, mismanagement, negligence, alteration, accident, or lack of proper maintenance, or from lightning strikes, electrical power surges or interruption of electricity.
- Product experienced corrosion, material deterioration and/or equipment malfunction caused by or consistent with the application of chemicals, minerals, sediments or other foreign elements.
- Product was used for any purpose other than for the care of poultry and livestock.

The Warranty and Extended Warranty may only be modified in writing by an officer of CHORE-TIME. CHORE-TIME shall have no obligation or responsibility for any representations or warranties made by or on behalf of any distributor, dealer, agent or certified representative.

# Unassembled Fan Component Part Numbers



Unassembled 57" DD Fan Kit Part Numbers

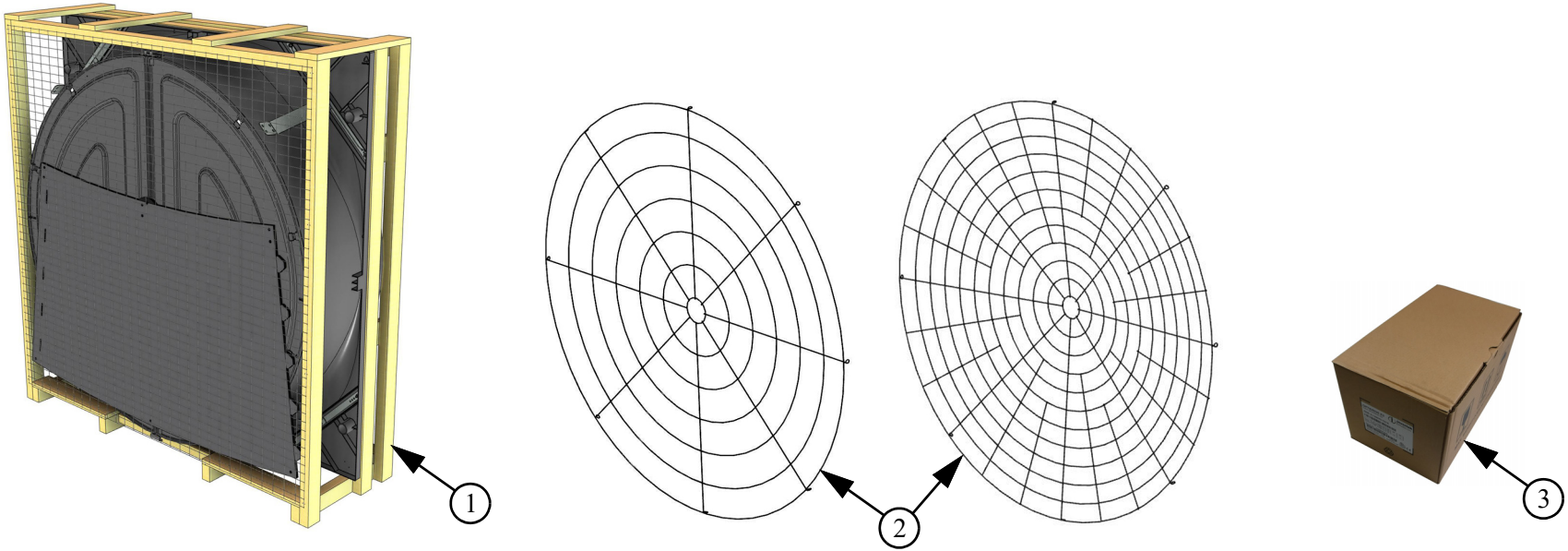
Fan Kit Part Number	56555-1U	56555-2U	56555-3U	56555-1SU	56555-2SU	56555-3SU	56555-1TU	56555-2TU	56555-3TU
<b>Phase</b>	1	3	3	1	3	3	1	3	3
<b>Voltage</b>	230	230	380-480	230	230	380-480	230	230	380-480
<b>Cone Grill Spacing</b>	6" [152mm]	6" [152mm]	6" [152mm]	6" [152mm]	6" [152mm]	6" [152mm]	3" [76mm]	3" [76mm]	3" [76mm]
<b>Fan Blade Material</b>	Galv.	Galv.	Galv.	SS	SS	SS	Galv.	Galv.	Galv.

Item	Description	Component Part No.								
1	57" Fan Shroud and Door Package	53580-XX	53580-XX	53580-XX	53580-XX	53580-XX	53580-XX	53580-XX	53580-XX	53580-XX
2	57" DD Fan Component Pack	56559-XX	56559-XX	56559-XX	56559-XX	56559-XX	56559-XX	56559-XX	56559-XX	56559-XX
3	59 Square 1.25x2 Wire Screen	56540	56540	56540	56540	56540	56540	56540	56540	56540
4	57" Fan Blade	56494-XX	56494-XX	56494-XX	57022-XX	57022-XX	57022-XX	56494-XX	56494-XX	56494-XX
5	Motor	56501	56501	56704	56501	56501	56704	56501	56501	56704
6	Programmed VFD	56541-1-1	56541-2-1	56541-3-2	56541-1-1	56541-2-1	56541-3-2	56541-1-1	56541-2-1	56541-3-2
7	57" Fan Cone Grill	53129	53129	53129	53129	53129	53129	55783	55783	55783
8	57" DD Fan Hardware Package	56557-1XX	56557-1XX	56557-3XX	56577-1SXX	56577-1SXX	56577-3SXX	56577-1XX	56557-1XX	56557-3XX

XX=part packaged quantity

# Assembled Fan Component Part Numbers



**Assembled 57" DD Fan Kit Part Numbers**

Fan Kit Part Number	56555-1	56555-2	56555-3	56555-1S	56555-2S	56555-3S	56555-1T	56555-2T	56555-3T
<b>Phase</b>	1	3	3	1	3	3	1	3	3
<b>Voltage</b>	230	230	380-480	230	230	380-480	230	230	380-480
<b>Cone Grill Ring Spacing</b>	6" [152mm]	6" [152mm]	6" [152mm]	6" [152mm]	6" [152mm]	6" [152mm]	3" [76mm]	3" [76mm]	3" [76mm]
<b>Fan Blade Material</b>	Galv.	Galv.	Galv.	SS	SS	SS	Galv.	Galv.	Galv.

Item	Description	Component Part No.								
1	57" DD Fan Sub-Assembly	56555-1P	56555-1P	56555-3P	56555-1PS	56555-1PS	56555-3PS	56555-1P	56555-1P	56555-3P
2	57" Fan Cone Grill	53129	53129	53129	53129	53129	53129	55783	55783	55783
3	Programmed VFD	56541-1-1	56541-2-1	56541-3-2	56541-1-1	56541-2-1	56541-3-2	56541-1-1	56541-2-1	56541-3-2

## Tools Needed and Supplies

- Ratchet or Impact Wrench
- Phillips Screwdriver
- Drill
- 3/16" Drill Bit
- Expansion Clamp (See “Keeping Fan Shroud edges straight” on page 15)
- 3/8" Socket
- 1/2" Socket or Wrench
- Side Cutters
- Caulking

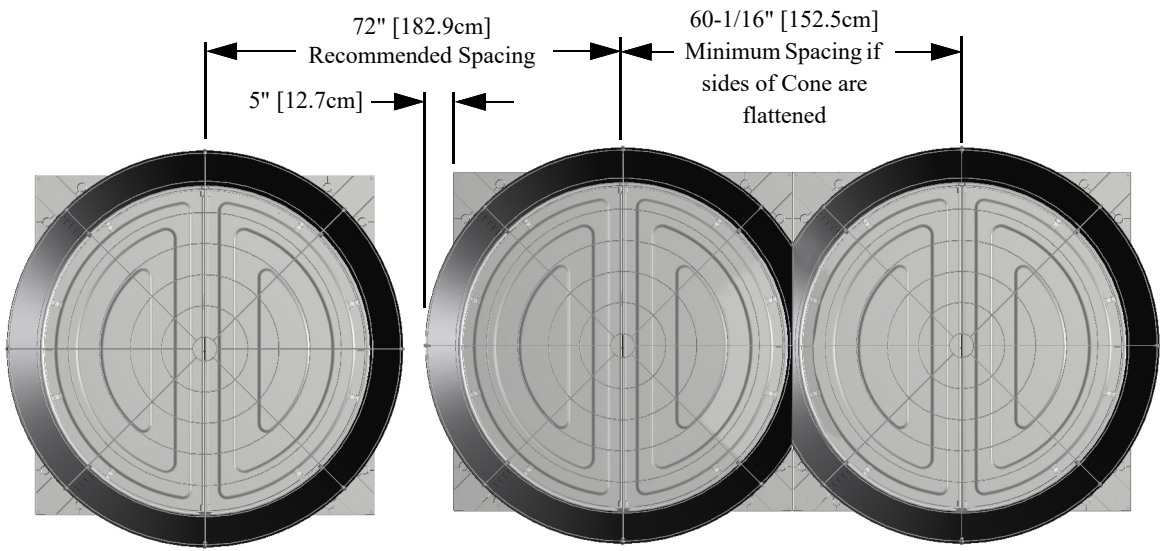
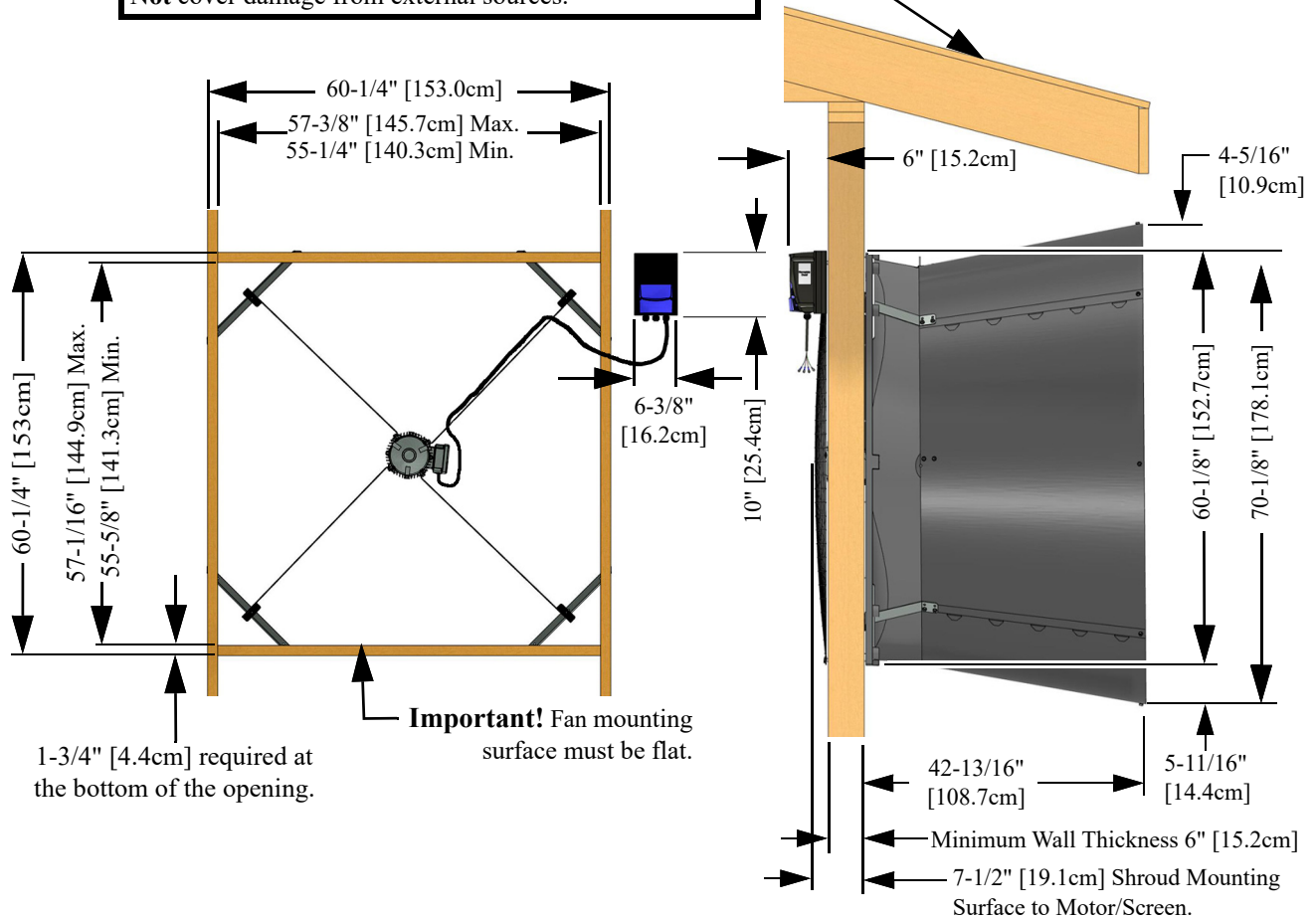
## VFD Cross Reference Part Numbers

Chore-Time Part Number	Invertek Model Number
56541-1-X	ODE-3-120070-1F1A
56541-2-X	ODE-3-120070-301A
56541-3-X	ODE-3-140041-3F1A

# Endura® DD Fan New Installation Planning

Planning the layout of the spacing between Fans is very important. Spacing too close together will cause interference between the discharge Cones. See the Invertek ODE-3 IP66 Outdoor User Guide, (MV2493) at [www.choretime.com/documents, Manuals, Ventilation, Fans & Shutters, 57-Inch Endura Fans, MV2493](http://www.choretime.com/documents, Manuals, Ventilation, Fans & Shutters, 57-Inch Endura Fans, MV2493) for additional drive mounting requirements.

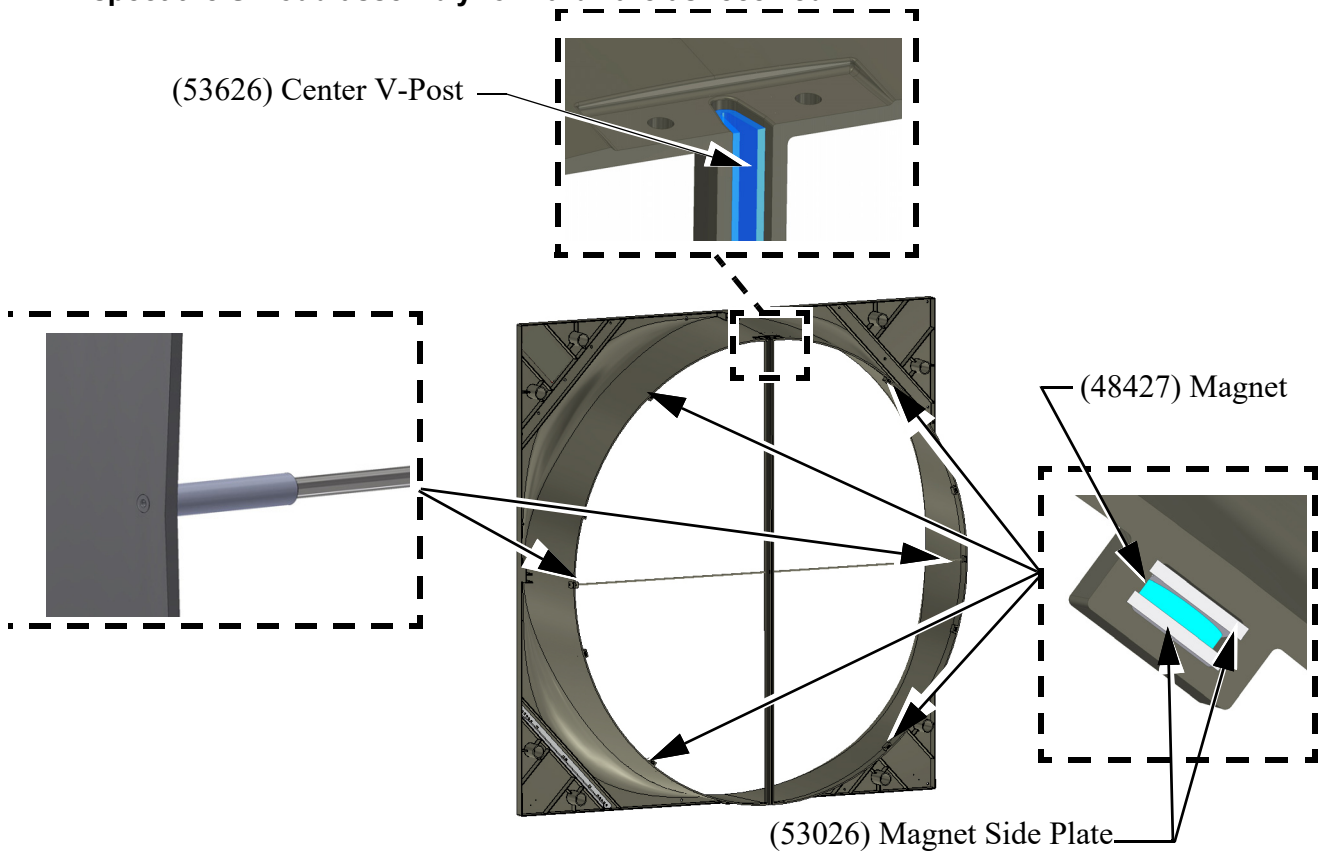
**!Important:** Provide Shelter over Cones in areas where snow or ice could cause damage. CTB Inc. Warranty **Does Not** cover damage from external sources.



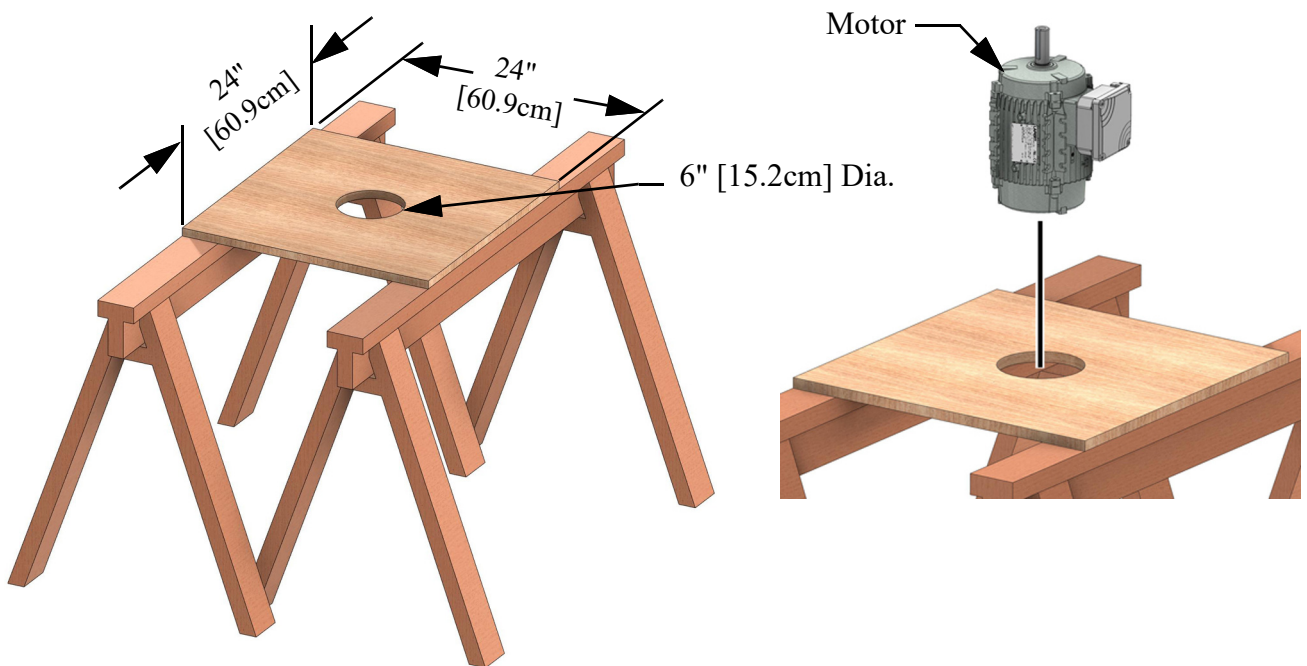
# Installation

## Inspecting the Shroud

Inspect the Shroud assembly for hardware as received.

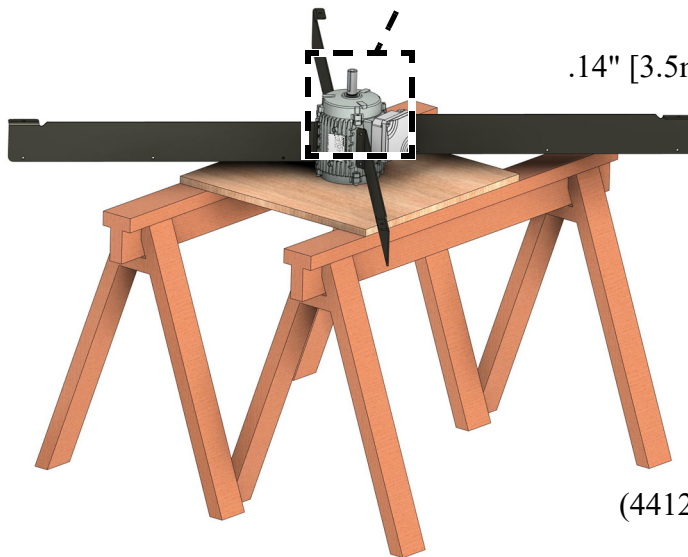
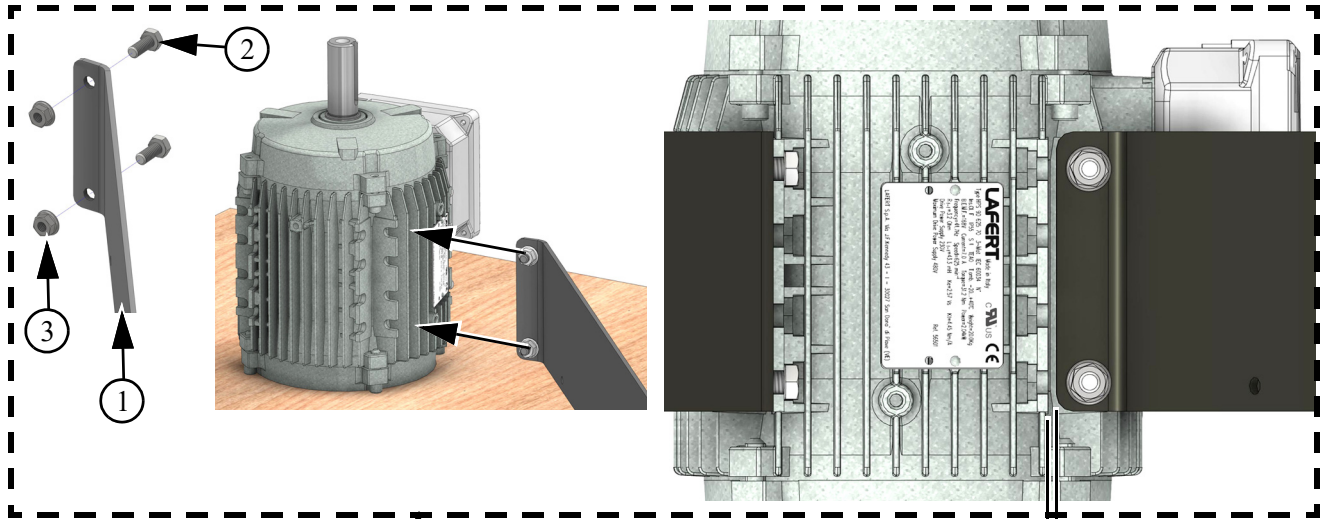


## Assembly Jig for Unassembled Fans (For assembled versions skip to page 12)





### Install Motor Supports

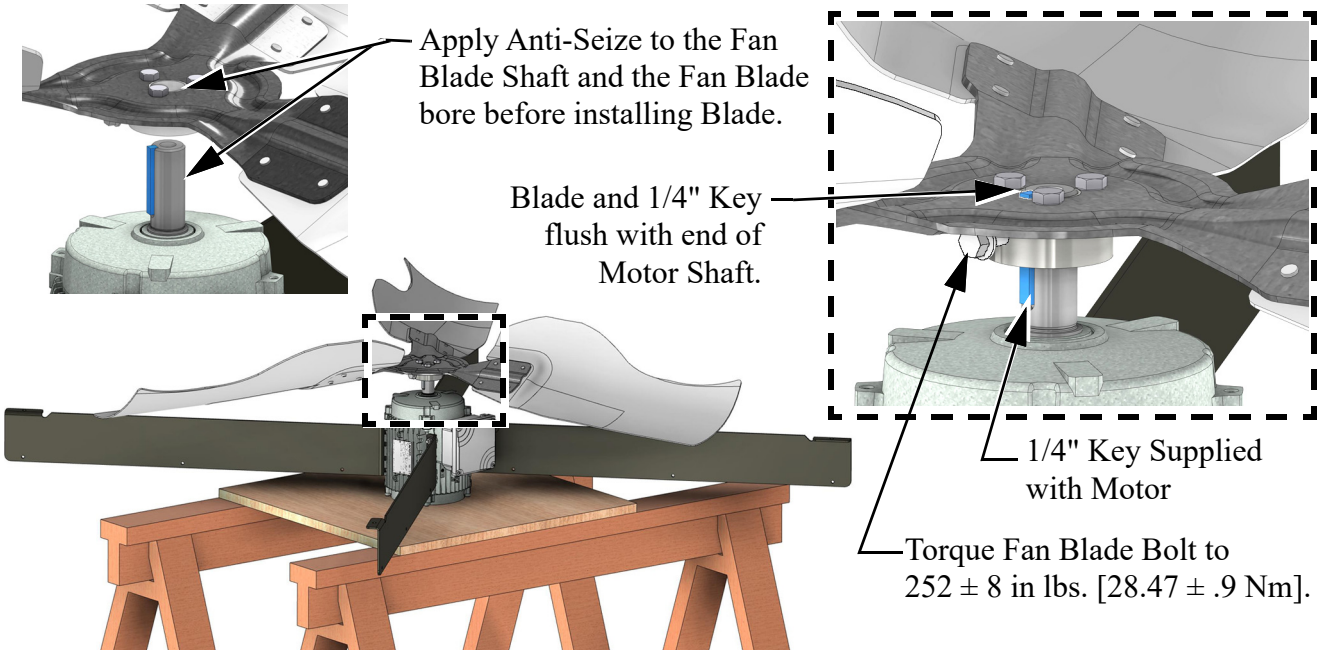


Edges Parallel  
 .14" [3.5mm] Maximum Gap

Item	Description	Part No.
1	57" DD Fan Motor Support	56502
2	5/16-18 x 3/4 Bolt	4412-11
3	5/16 Flg. Nut	46764

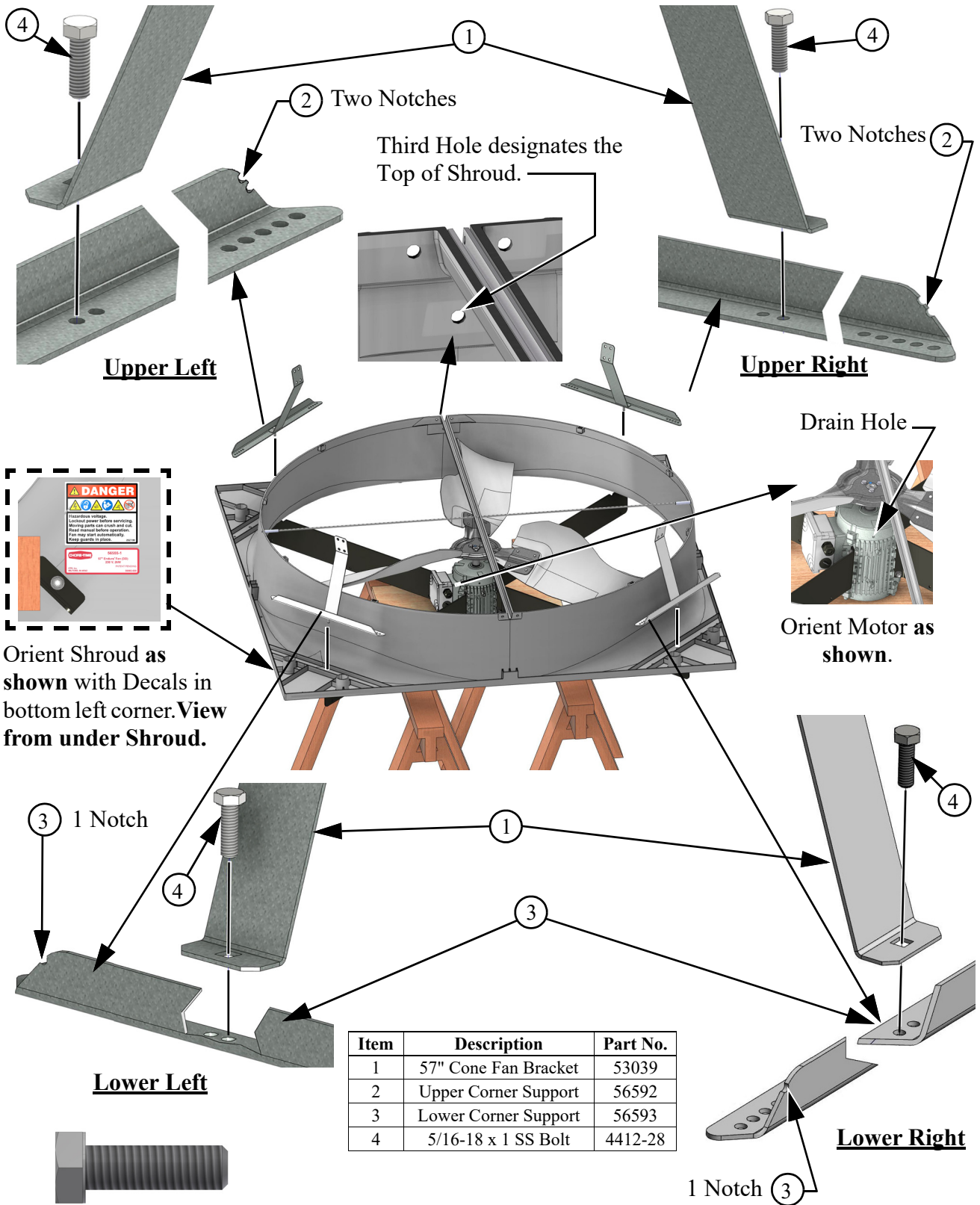


### Blade Installation



## Shroud and Shroud Components Installation

1. Assemble the four corner Bracket assemblies by threading (4412-28) Bolts into the Corner Supports as shown. Each Corner Bracket Assembly is unique. Make sure to use the appropriate Corner Support with the Bolt in the correct hole as shown. Line up the Bolts with the Holes in the shroud and Motor Supports and set in place as shown.



(4412-28) 5/16-18 x 1" Bolt



2. Fasten the Cone Supports and Brackets to the Fan Motor Supports with 4 (46764) Nuts as shown.



Item	Description	Part No.
1	5/16 Flg. Nut	46764



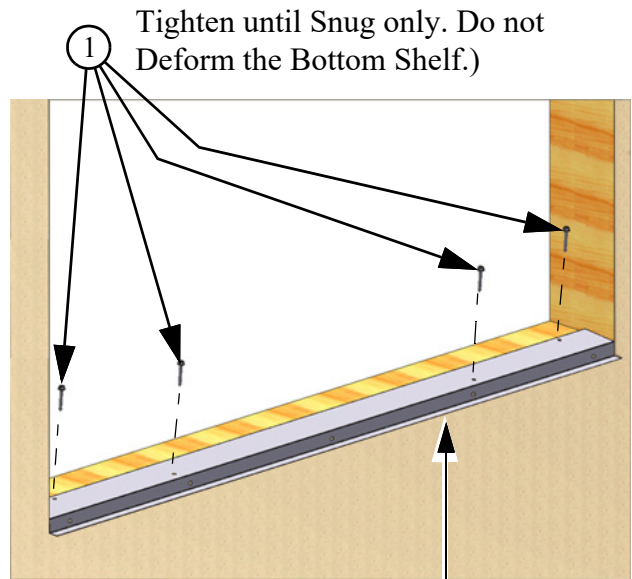
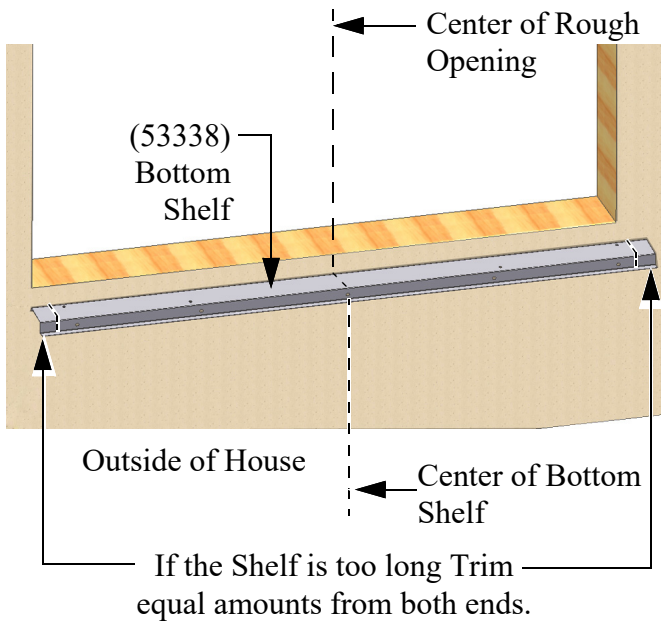
(46764) 5/16 Flg. Nut

3. Install the Top Pivot Plate Bracket (53037), Bottom Pivot Plate Bracket (53036), Fan Cone Cable (50618-5) and Eye-Bolt (30663) as shown.

Item	Description	Part No.
1	57" Fan Top Pivot Plate	53037
2	5/16 Flg. Nut	46764
3	3/32" Fan Cone Cable	50618-5
4	5/16-18 x 2 Eye-Bolt	30663
5	57" Fan Bottom Pivot Plate	53036

(46764) 5/16 Flg. Nut

### Bottom Shelf Installation

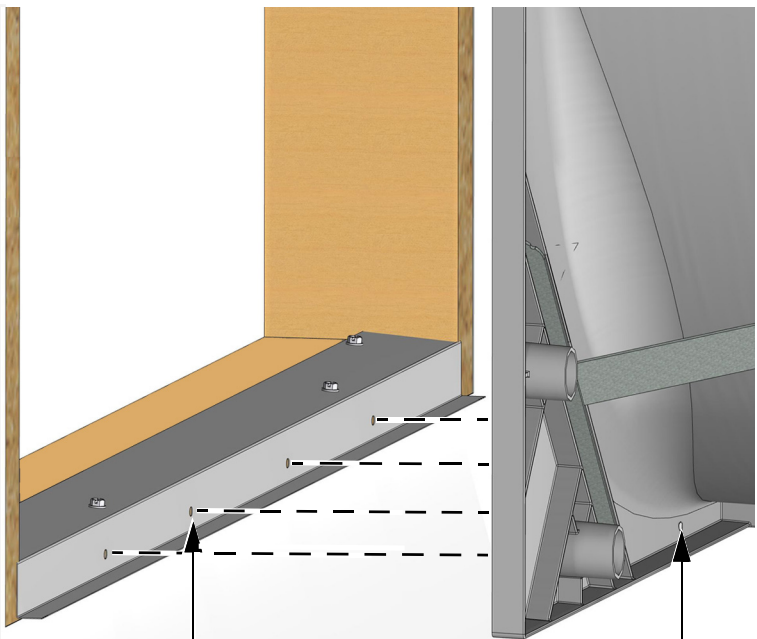
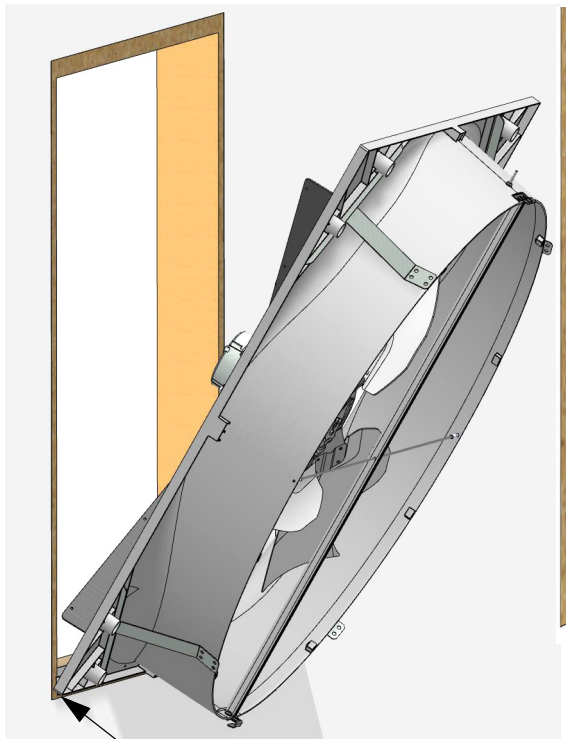


This Flange must be straight after installation!



① (41561) 1/4 x 1-1/2 Lag Screw

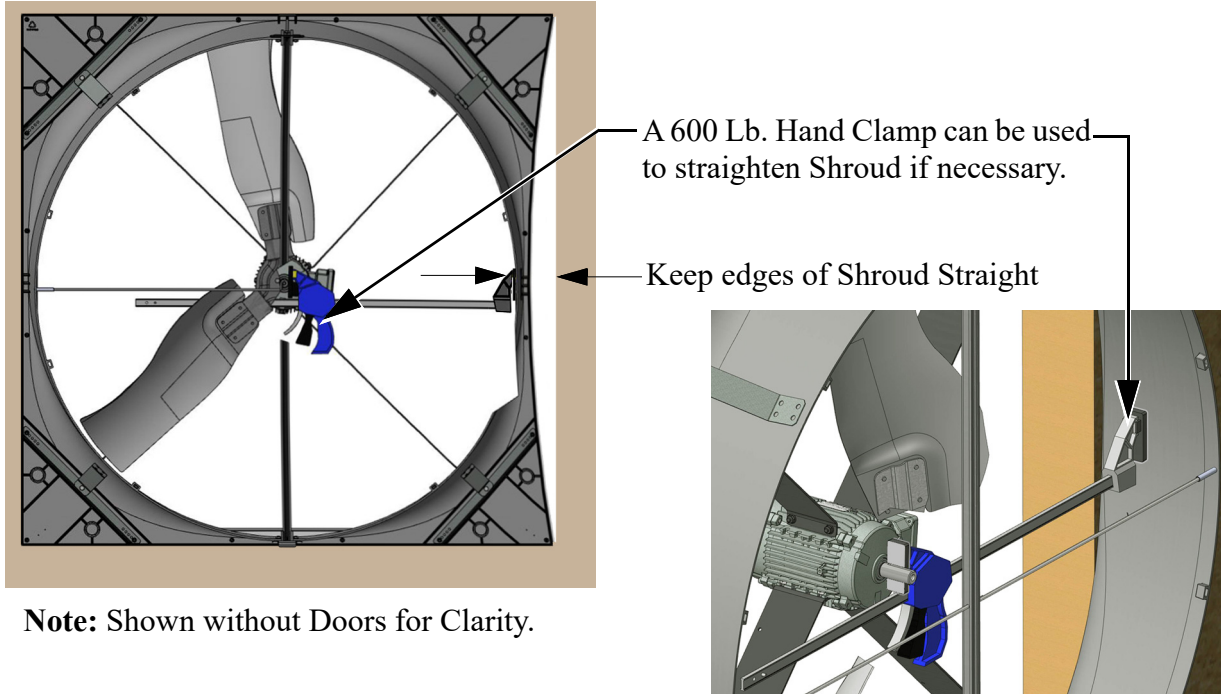
### Attaching the Fan to the Wall



Line up the four Holes in the Shroud with the Holes in the Bottom Shelf.

### Keeping Fan Shroud edges straight

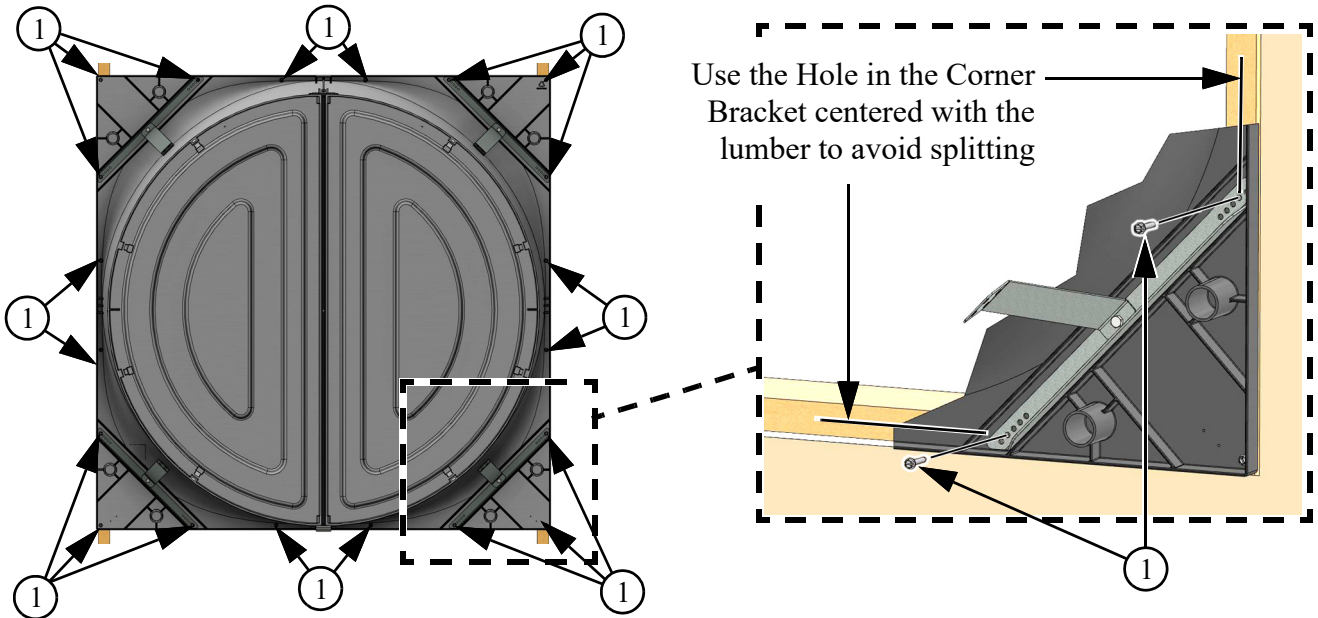
It is important when attaching the Fan to the Wall to keep edges of Shroud straight.



### Attaching the Fan Shroud to the Wall

1. Pre-drill holes to 3/16" [4.8 mm] to avoid splitting lumber. If holes do not line up with the lumber it may be necessary to put Screws through Shroud.
2. Attach the Fan to the Wall with 1/4 x 1-1/2" Lag Screws (41561) as shown. Attach with a total of 20 Lag Screws.

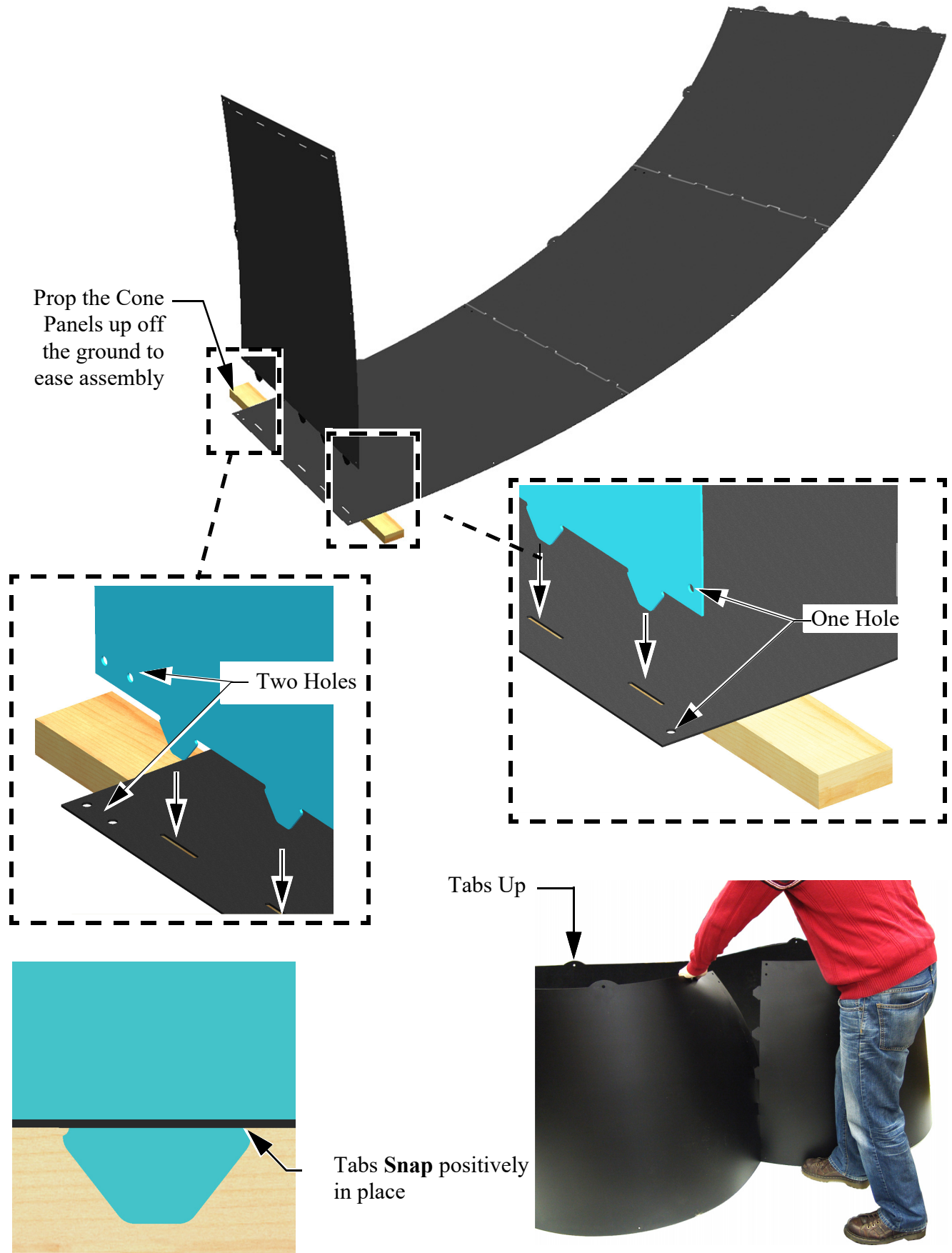
**Important!** Be sure sides of Shroud are straight, and the wall mounting surface is flat. Bowed sides or an uneven mounting surface can cause the fan blade to hit the orifice, or excessive gaps between the Hyflo® doors and the shroud.



① (41561) 1/4 x 1-1/2 Lag Screw

### Cone Assembly

Assemble Cone Panels as shown below.

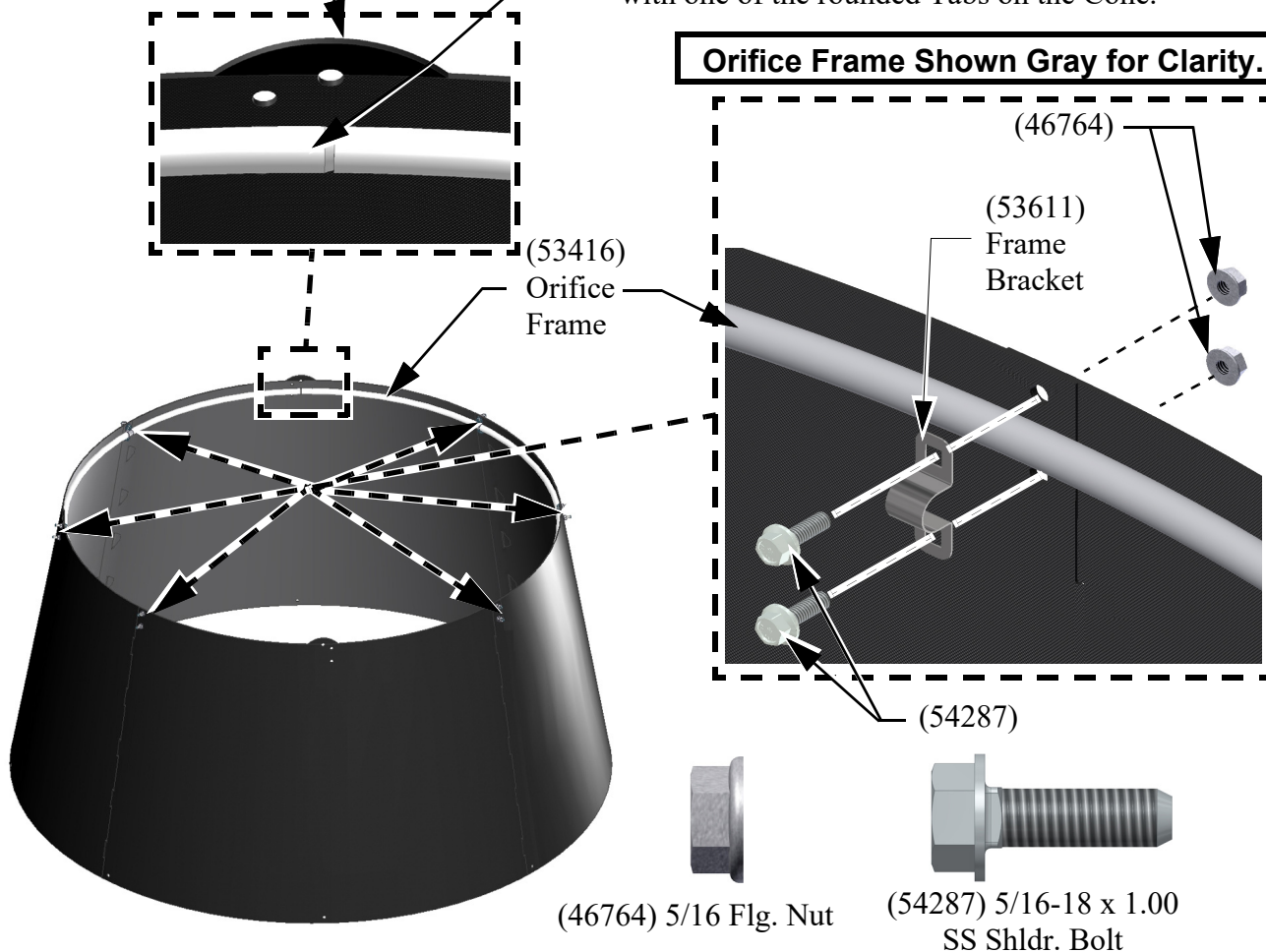




### Installing the Orifice Frame

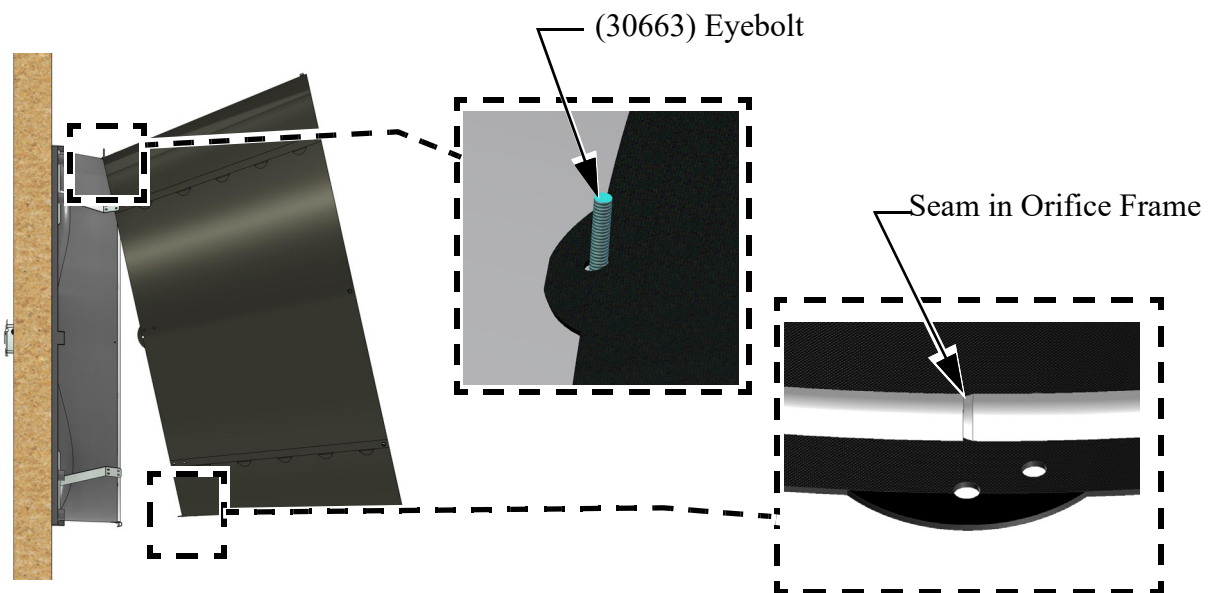
Rounded Tab on the Cone

**Important!** Line up the Seam in the Orifice Frame with one of the rounded Tabs on the Cone.

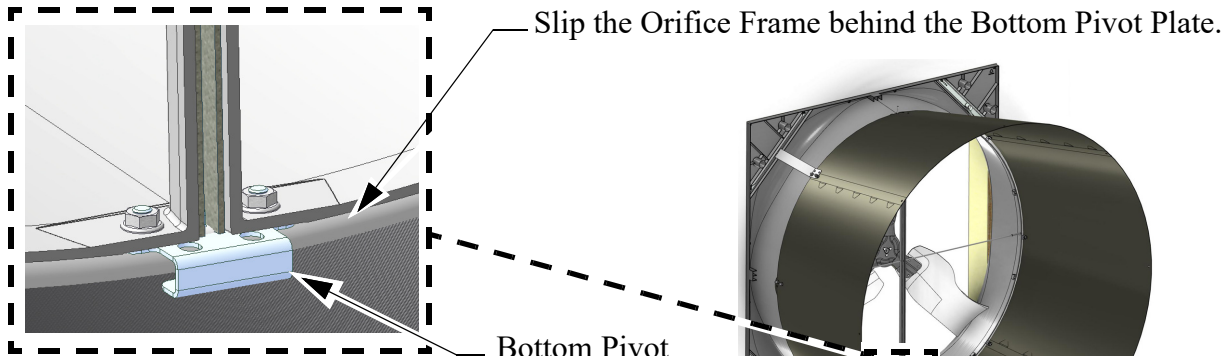


### Cone Installation

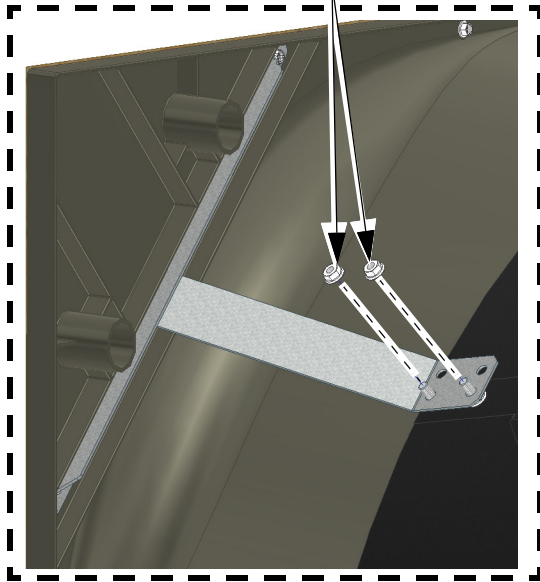
Hang the Cone on the Eye-Bolt extruding from the top of the Shroud using the hole in the Cone as shown.



Attach the cone to the Shroud as shown below.

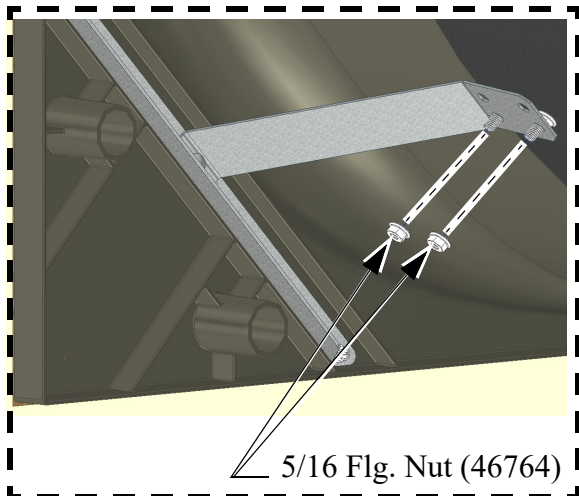
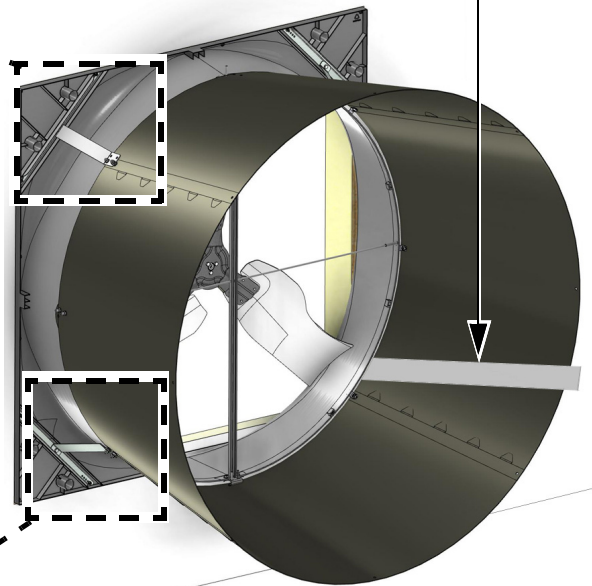


5/16 Flg. Nut (46764)



Use the Bolts in the Cone to attach the Cone to the Cone Brackets. Use the Bottom set of holes in the Cone Brackets.

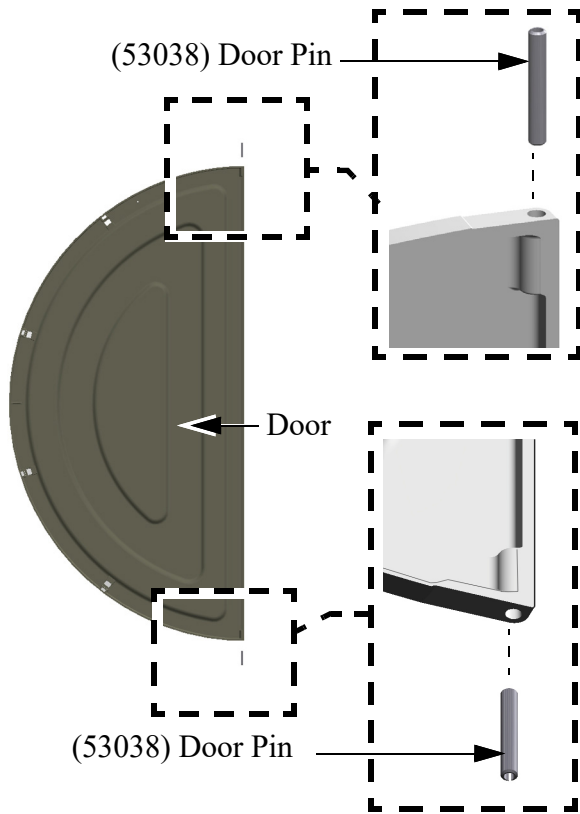
If necessary, slip a thin piece of metal between the Shroud and Cone and work it around the Cone to get it on.



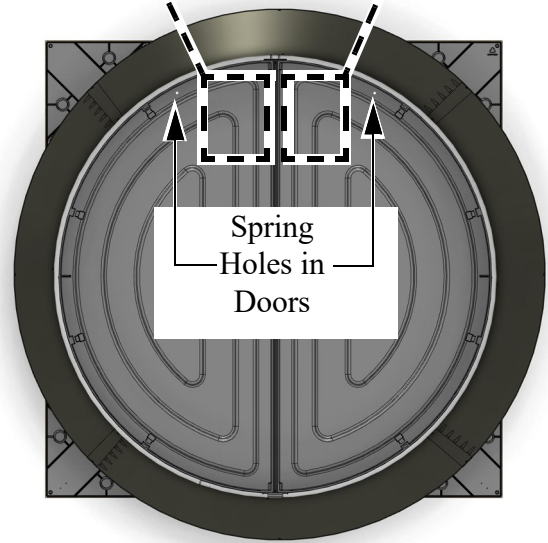
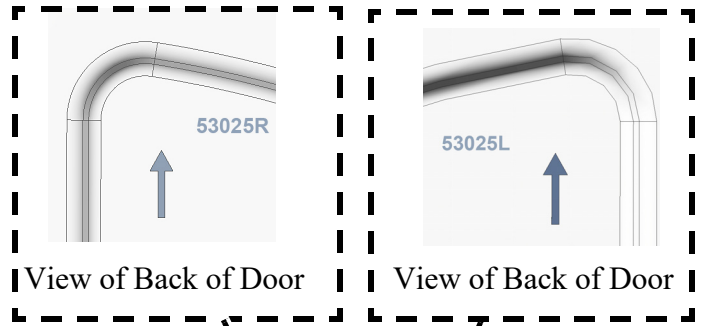
(46764) 5/16 Flg. Nut

### Door Assembly and Installation

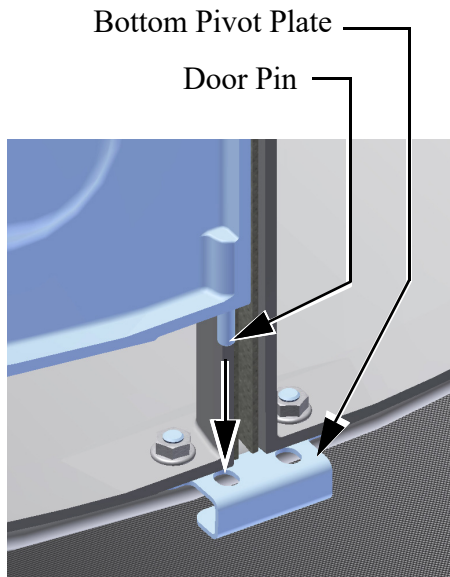
Insert Door Pins in both Doors as shown. Push Pins in until they bottom out.



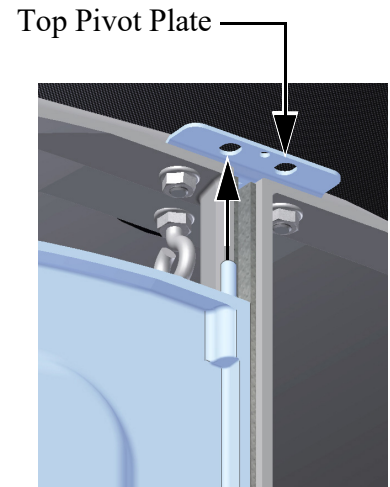
Doors are Left and Right specific.



Insert Door Pins into Bottom Pivot Plate.



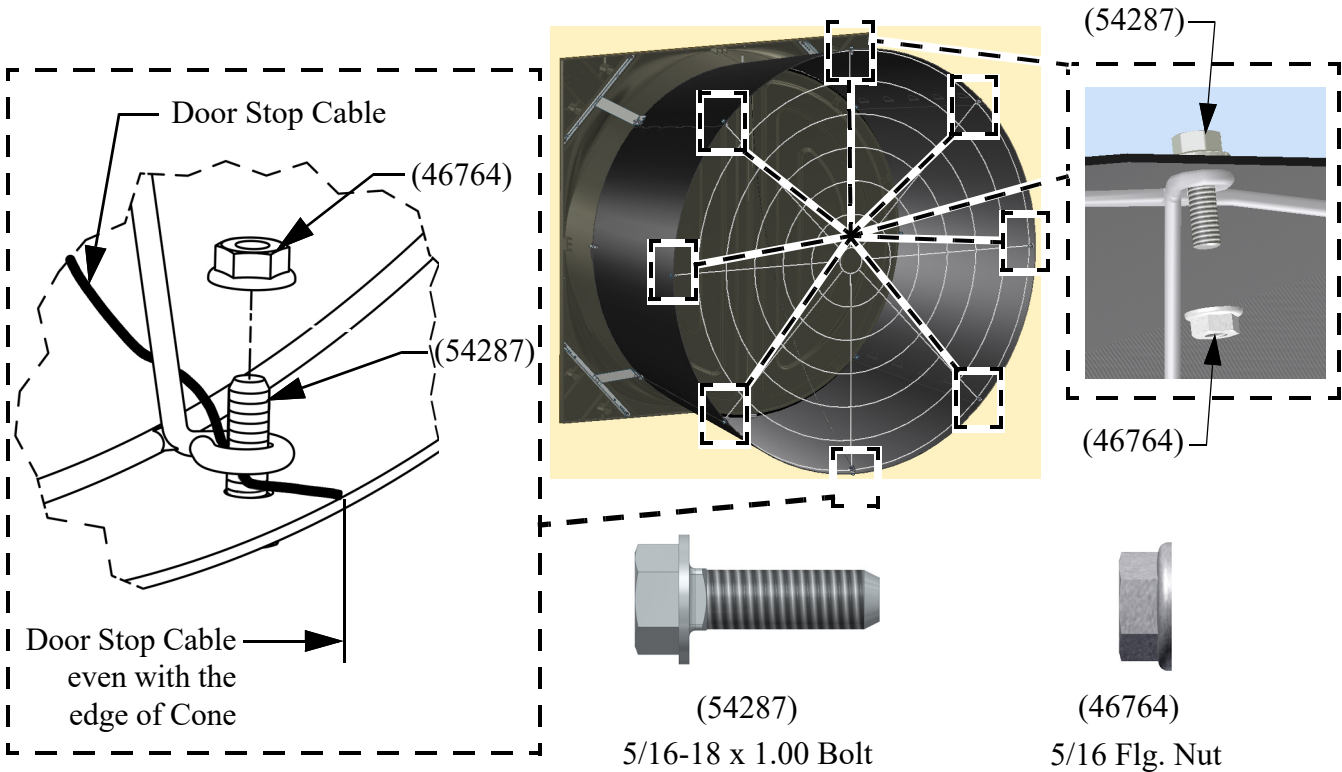
Grab the Door in the Center, Bow the Door outward, and insert the Top Door Pin into the Top Pivot Bracket as shown. **Do not Overbow the Doors!**



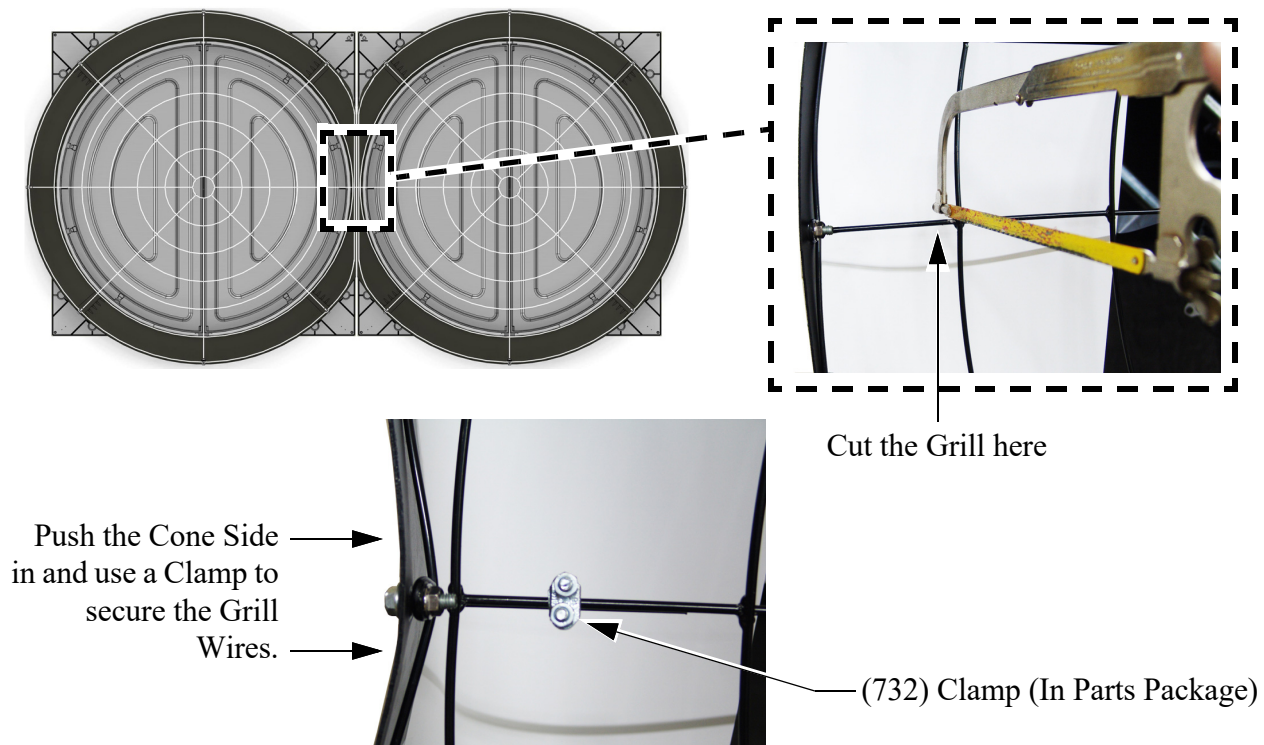


### Grill Installation

Install the Fan Cone Grill (as shown). Attach the end of the Door Stop Cable to the bottom Grill Leg **as shown**.

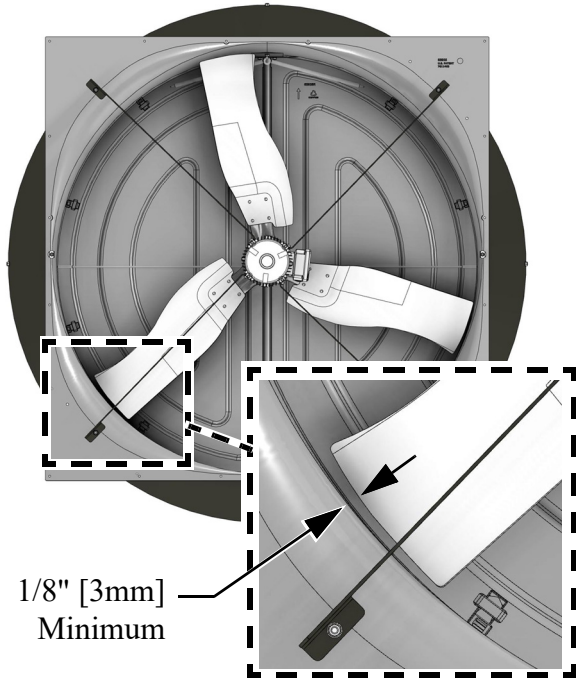


If it is desired to Mount Fans at the minimum spacing cutting the Grills is required **as shown**.

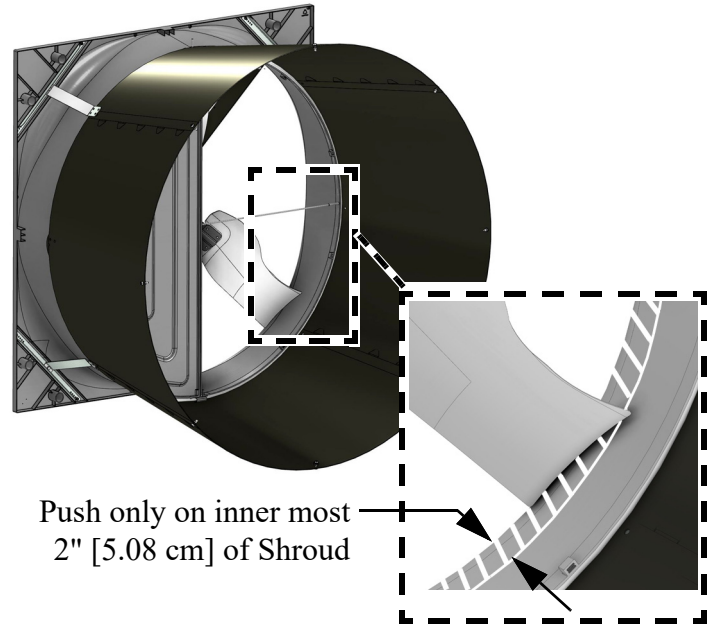




### Check Blade Tip Clearance

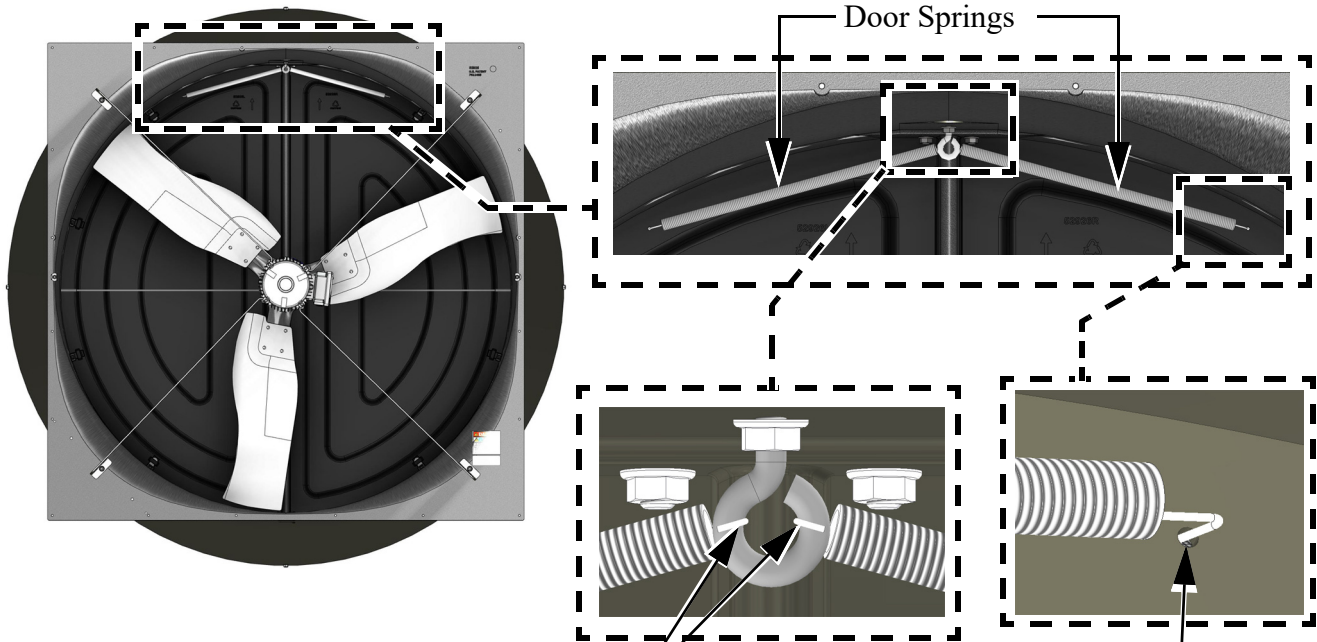


Spin the Blade by hand and check that there is minimum of 1/8" [3 mm] Clearance from the Shroud all the way around orifice.



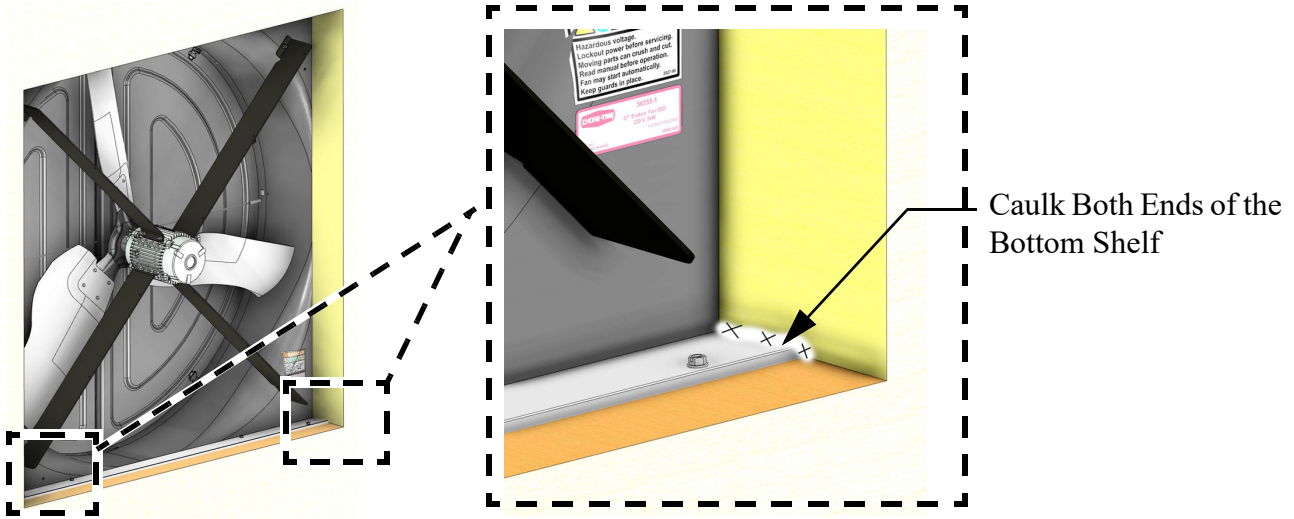
If Clearance is insufficient, check that the mounting surface is flat, and that the sides of the Shroud are straight. To Gain more Tip Clearance, remove the Lag Screws from the side with inadequate clearance, push out on the Shroud orifice. **(Push only on the inner most 2" [5.08 cm] of the Shroud or damage could occur)** Re-install Lag Screws in new holes.

### Door Spring Installation



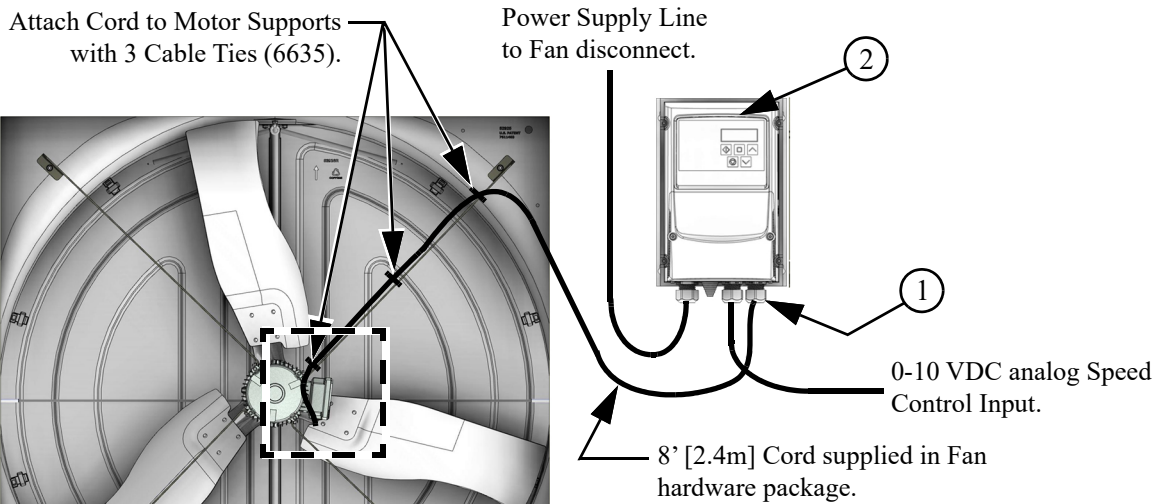
### Caulking

Caulk both Ends of the Bottom Shelf to fill any gaps between the Shroud and the Framed opening.

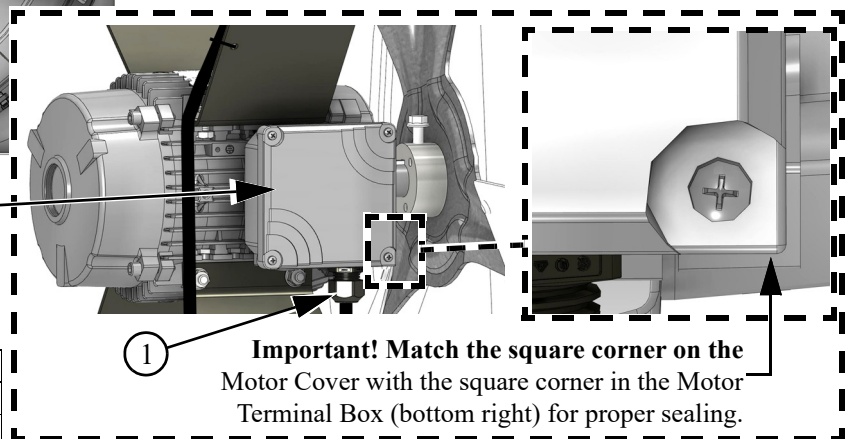


### Fan Drive (VFD) Mounting

Select a location next to the Fan to install the Fan Drive. See the Invertek VFD Quick Start Guide (MV2492) that comes with the drive, or online at [www.choretime.com/documents, Manuals, Ventilation, Fans & Shutters, 57" Endura Fans, MV2492](http://www.choretime.com/documents, Manuals, Ventilation, Fans & Shutters, 57). See the Invertek User Manual (MV2493) at [www.choretime.com/documents, Manuals, Ventilation, Fans & Shutters, 57-Inch Endura Fans, MV2493](http://www.choretime.com/documents, Manuals, Ventilation, Fans & Shutters, 57-Inch Endura Fans, MV2493) for mounting details and general wiring instructions.



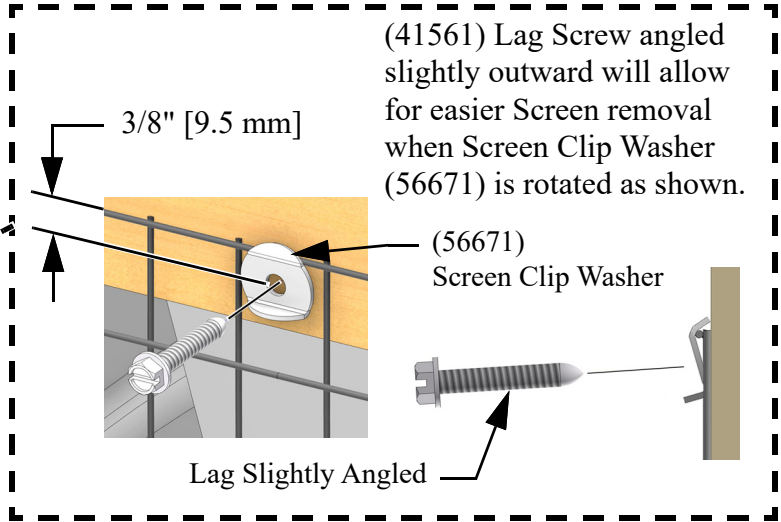
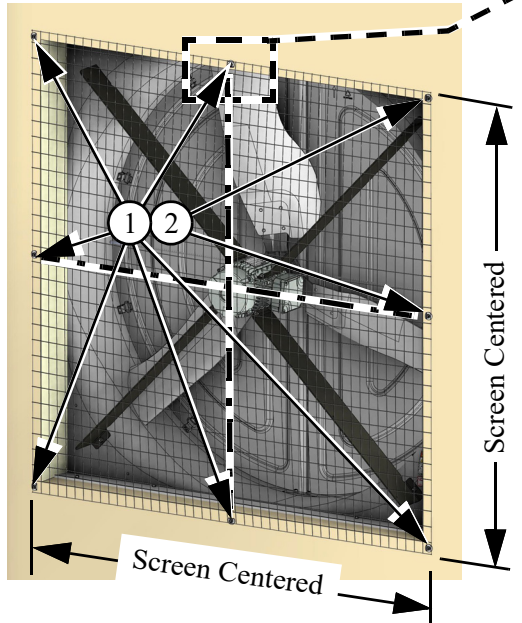
Apply Anti-Seize to screw threads when re-installing Motor Junction Box Cover.



Item	Description	Part No.
1	M20 Cord Grip	56847
2	Invertek Optidrive™	Varies

### Screen Installation

Center Screen on the wall opening and fasten with 8 Screen Clip Washers (56671) and (41561) Lag Screws as shown. **Note: Some bowing of the Screen because of contact with power unit is normal.**

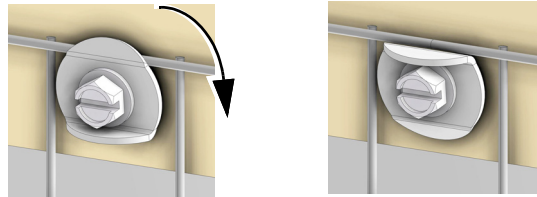


Item	Description	Part No.
1	1/4-10 x1.5 Lag Screw	41561
2	Screen Clip Washer	56671
3	59" Square Screen	56540

Loosen Lag Screw and Rotate Screen Clip Washer for easy Screen removal



(41561) 1/4 x 1-1/2 Lag Screw



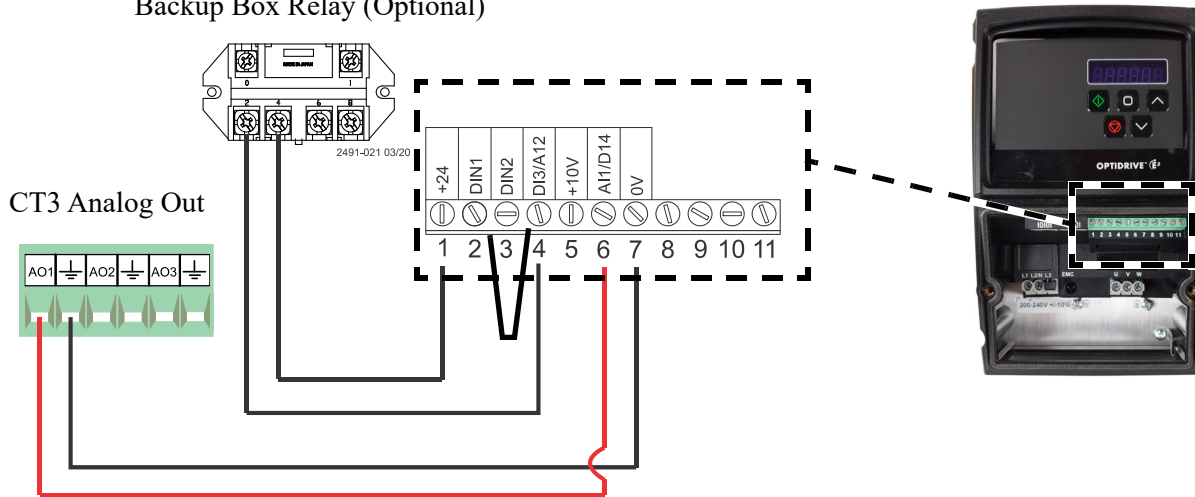
## Control Signal Wiring

See the Invertek Quick Start Guide that comes packaged with the VFD for VFD wiring instructions. Further information is also available in the Invertek ODE-3 IP66 Outdoor User Guide (MV2493). It can be viewed online at [www.choretime.com/documents, Manuals, Ventilation, Fans & Shutters, 57-Inch Endura Fans, MV2493](http://www.choretime.com/documents, Manuals, Ventilation, Fans & Shutters, 57-Inch Endura Fans, MV2493). For variable speed fan control connect the 0-10 vdc analog signal from the main control to VFD terminals 6 (positive) and 7. The Fan will run full speed with an analog signal of 10 vdc and slow down to a stop as the signal is decreased to 0 vdc.

For optional Fan Backup Control, in case of main control failure, connect a backup relay to terminals 1 and 4. The Fan will run full speed when the backup relay contacts are closed.

The jumper from terminals 1 to 2 is required for Fan operation.

### Backup Box Relay (Optional)



## Drive Parameters

The Drives come pre-programmed with parameters for operation with the corresponding 57" Direct Drive Endura Fans. The following parameter have been changed from the drive default values:

**Note:** If the length of the Cord between the Drive and the Drive Motor is changed from the standard Cord supplied with the Fan/Motor then the P-52 Autotune process needs to be done with the Motor at room temperature to update the Motor resistance P-55. See the Invertek Quick Start Guide (MV2492) that comes with vfd for instructions."

No.	Defaults	Description	Parameter Sets*	
			-1	-2
P-01	60	Maximum Frequency/Speed Limit (rpm)	630	630
P-03	5	Acceleration Ramp Time (sec)	3	3
P-04	5	Deceleration Ramp Time (sec)	40	40
P-05	0	Stop Mode Select	4	4
P-06	0	Energy Optimiser	1	1
P-07	230	Motor Rated Voltage	170	303
P-09	60	Motor Rated Frequency (Hz)	42	42
P-10	0	Motor Rated Speed (rpm)	630	630
P-13	0	Industrial / Fan-Pump Control Mode	2	2
P-14	0	Extended Menu Access Code	201	201
P-30	Edge-r	Terminal Mode Restart Function	Auto-5	Auto-5
P-33	0	Spin Start Enable	1	1
P-48	0.0	Standby' Activation Delay Time (sec)	0.1	0.1
P-51	0	Motor Control Mode	2	2
P-54	150	Maximum Current Limit	110	110
P-55	1.40	Motor Stator Resistance	3.4	9.8
P-56	120	Motor Stator d-axis Inductance (Lsd)	25	57
P-57	12.0	Motor Stator q-axis Inductance (Lsq)	26	55.7
P-60	o 0	Thermal Overload Management	o 1	o 1

\*Last digits of the 56541 Programmed VFD Part Numbers are the Parameter Set numbers, ie "-2" parameter set is used in the 56541-3-2 VFD

## Test Fan for proper operation

Supply power to the VFD and check for proper operation. If the Fan turns in the wrong direction interchange any two wire connections between the drive and the motor to correct the direction of fan blade rotation.

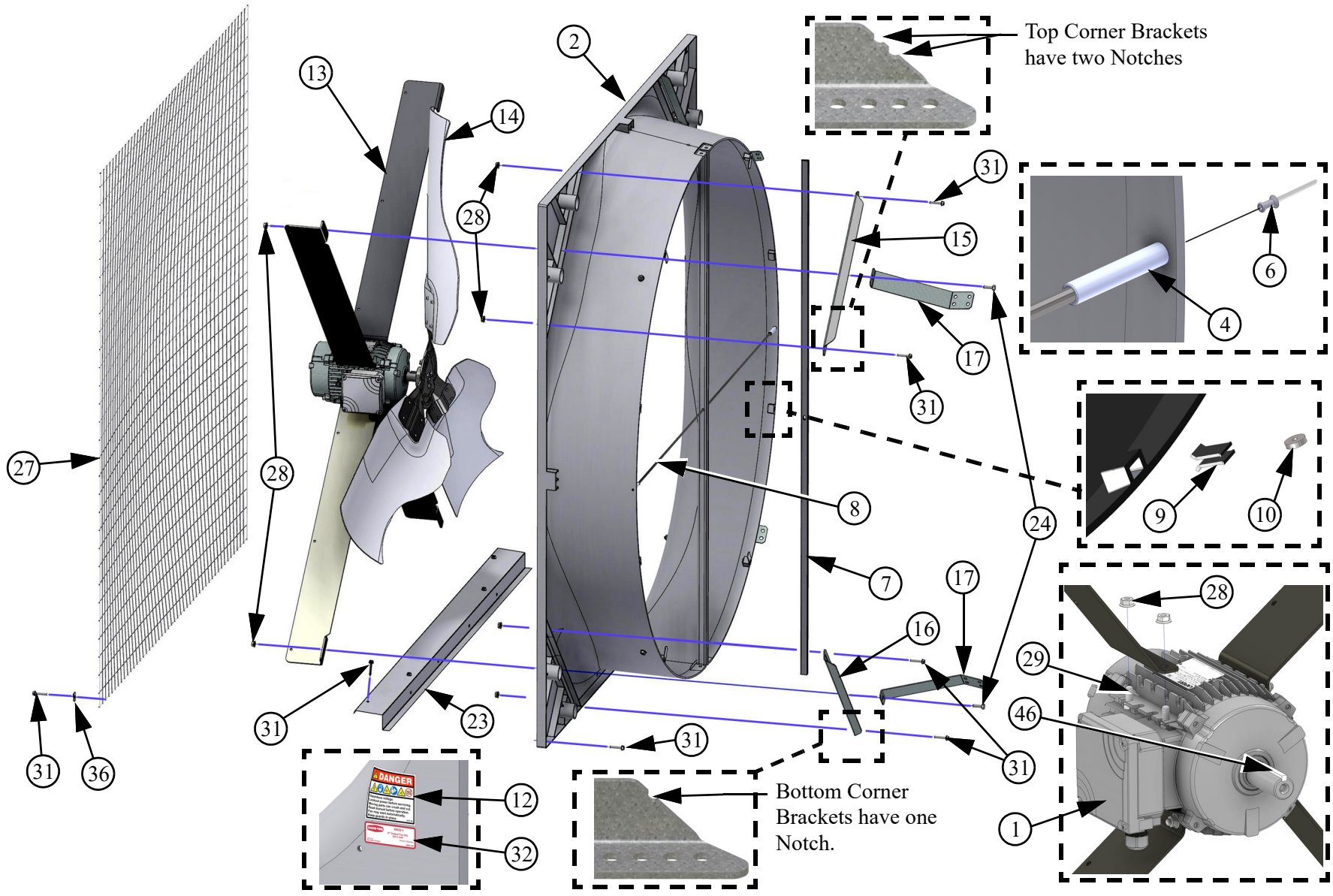
## Maintenance

**IMPORTANT!** Disconnect Power Prior To Maintaining Or Cleaning The Fan. The fan may start automatically causing serious injury or death.

- Service and repair of fans should be done only by a qualified technician.
- Minimize contact of moisture or corrosive chemicals to the surfaces of the fan components to maximize fan life.
- After washing fans, operate fans long enough to remove moisture from all fan surfaces.
- Keep the fan clean for maximum life and best performance.

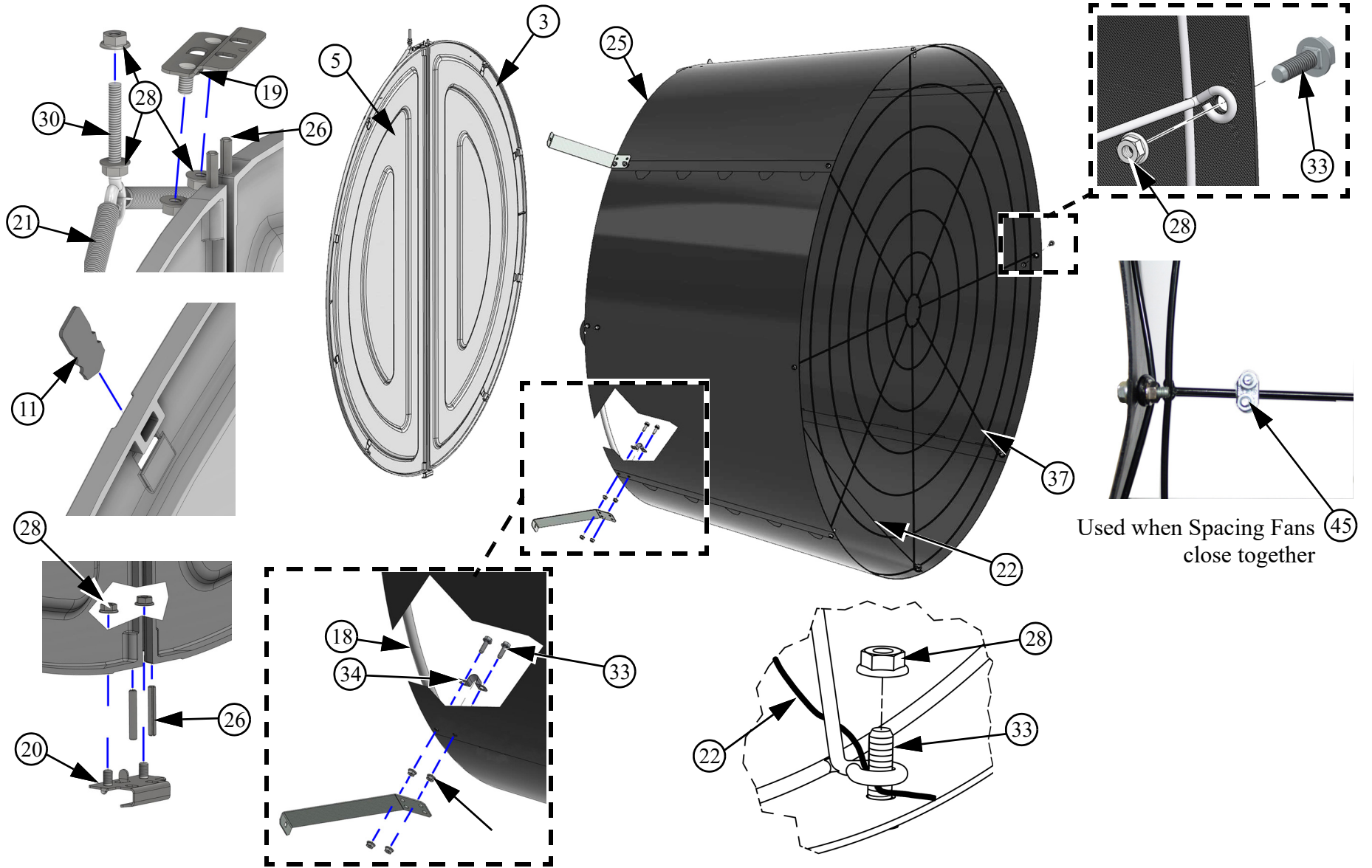


# Parts Numbers (Itemized)



Item	Qty.	Description	Part No.	57" Direct Drive Endura® Fan (56555-X,-XS,-XT) Part Numbers
1	1	Motor, 230V, 7A, 630RPM PMSM	56501	-1,-2,-1S,-2S,-1T,-2T,-1U,-2U,1SU,-2SU,-1TU,-2TU
		Motor, 380-480V, 4.1A, 630RPM PMSM	56704	-3,-3S,-3T,-3U,-3SU,-3TU
2*	1	57" Fan Shroud Assembly	52925	All
4*	2	57" Cross Rod Coupler	56339	All
6*	2	Rivet	48936	All
7*	1	57" Fan Center Post Stiffener	53626	All
8*	1	57" Fan Cross Rod	53398	All
9*	8	Magnet Side Plate	53026	All
10*	4	.125 x .50 Magnet	48427	All
12*	1	Fan Danger Decal	2527-90	All
13	4	57" DD Fan Motor Support	56502	All
14	1	57" Galv. Bolted Hub Blade	56494	-1,-2,-3,-2T-3T,-1U,-2U,3U,-1TU,-2TU,-3TU
		57" SS Blade Bolted Hub Blade	57022	-1S,-2S,-3S,-1SU,-2SU,-3SU
15	2	Upper Corner 57" DD Fan Support (2 Notches)	56592	All
16	2	Lower Corner 57" DD Fan Support (1 Notch)	56593	All
17	4	Cone Bracket	53039	All
23	1	57" Fan Support Shelf	53338	All
24	4	5/16-18 x 1.00 HH 316SS Bolt	4412-28	All
27	1	59" Square 1.25 x 2 Wire Screen	56540	All
28	46	5/16-18 Hx. Serrated SS Flange Nut	46764	All
29	8	5/16-18 x 3/4 HH SS Bolt	4412-11	All
31	32	1/4-10 x 1.5 HXWH SS Lag Screw	41561	All
32	1	57" DD Endura Fan Decal	39002-XXX	All
36	8	Screen Clip	56671	All
46	1	1/4 x 2" Square Key	2419-6	All
* Fan Shroud Assembly (Item 2) includes items 4,6,7,8,9,10, & 12				
***Unassembled Fans have a "U" at the end of the suffix.				

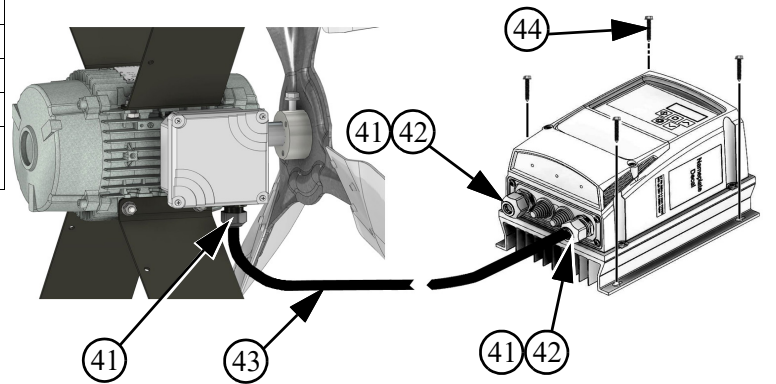
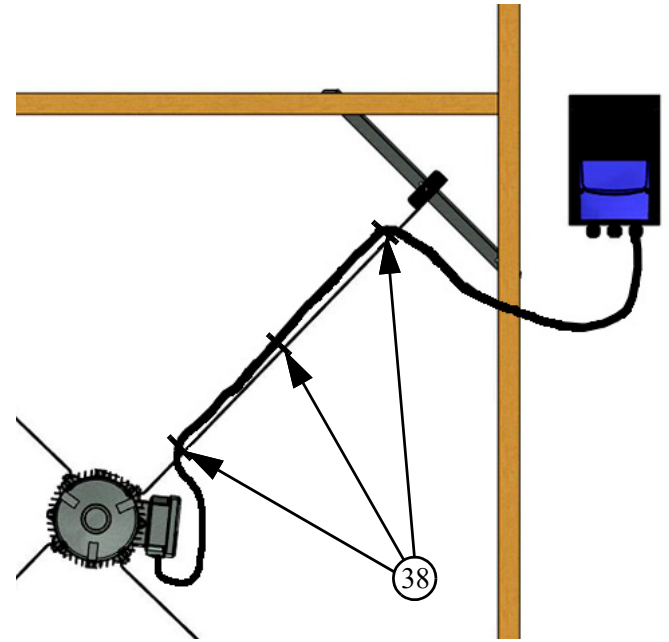
# Part Numbers (Itemized) continued

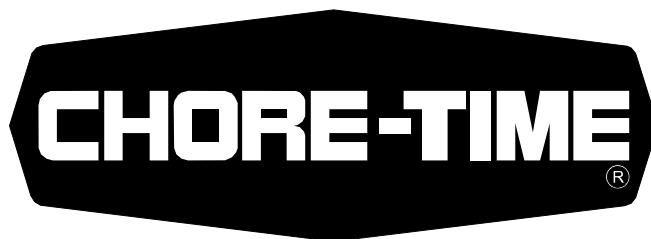




Item	Qty.	Description	Part No.	57" DD Endura® Fan (56555-X, -XS, -XT, -XSU, -XTU) Part Numbers
3**	1	57" Left Hand Fan Door	52926L	All
5**	1	57" Right Hand Fan Door	52926R	All
11**	4	Magnet Striker Plate	53027	All
18	1	57" Fan Orifice Frame	53416	All
19	1	57" Fan Top Pivot Plate	53037	All
20	1	57" Bottom Pivot Plate	53036	All
21	1	.50 OD x 11 x .055 SS Spring	49629	All
22	1	72" Fan Cone Cable	50618-5	All
25	4	Cone Panel	53163	All
26	4	1/4 x 1-3/4 420SS Spring Pin	53038	All
30	1	5/16-18 x 2 SS Eye Bolt	30663	All
33	20	5-16-18 x 1 SS HXWH Bolt	54287	All
34	6	57" Fan Orifice Frame Brckt.	53611	All
37	1	70" OD Cone Grill with 3" Spacing	55783	-1T,-2T,-3T,-1TU,-2TU-3TU
		70" Cone Grill with 6" Spacing	53129	-1,-2,-3,-1S,2S,-3S,-1U,-2U, -3U,-1SU,-2SU,-3SU
38	3	Cable Tie	6635	All
41	3	M20 Nylon Cord grip	56847	All
42	2	M20 Nylon Lock Nut	56848	All
43	1	8' Cord Assembly	4999-133	All
44	4	#8 x 1 HH Machine Screw	5998	All
45	2	3/16" Cable Clamp	732	All

**\*\*Door Assemblies include Magnet Striker Plates (Item 11)**  
**\*\*\* Unassembled Fans have a "U" at the end of the suffix.**





**MADE TO WORK.  
BUILT TO LAST.®**

**Revisions to this Manual**

<b>Page No.</b>	<b>Description of Change</b>	<b>ECO</b>
6	Was: 54530-XX Fan Blade for (56555-1SU,2SU,3SU) models	40379
8	Changed ODE-3-120070-101A to -1F1A Changed ODE-3-140041-301A to -3F1A	
22	Added Note "If the length of the cord between....."	
24	Changed Deceleration Ramp Time for P-04 from 30 to 40	
29	Changed 53399 to 50618-5	
20, 27, 28, 29	Removed: ST99070 Washers, One 46764 Flange Nut. Changed Cable Routing	

**For additional parts and information, contact your nearest Chore-Time distributor or representative.  
Find your nearest distributor at: [www.choretime.com/contacts](http://www.choretime.com/contacts)**

CTB, Inc.  
PO Box 2000  
Milford, Indiana 46542-2000 USA  
Phone (574) 658-4101 Fax (877) 730-8825  
Email: [choretime@choretime.com](mailto:choretime@choretime.com)  
Internet: [www.choretime.com](http://www.choretime.com)