

VIKE™ Aviary System for Layers



Let's grow together®

- Aviary system that provides outstanding results.
- Excellent overview and easy inspection.
- Integrated VALEGO™ Nests.



VIKE™ Aviary

Overview

- Multiple configurations and system widths available for optimal poultry house layout.
- Low height ensures fit in existing houses with lower ceilings and allows a complete overview.
- Optimal movement of hens through the poultry house.
- Compliant with KAT and EU regulations.

VALEGO™ Integrated Nests

- Rack-Drive (RDE) Expulsion systems.
- Walls and roofs from durable film-faced plywood.
- Self-cleaning AstroTurf® nest pads.
- Egg belt options: standard 1 x 19.7-inches (500-mm) or option 2 x 9.8-inches (250-mm).

AstroTurf® is not owned or licensed by CTB, Inc. and is the sole property of its owner.

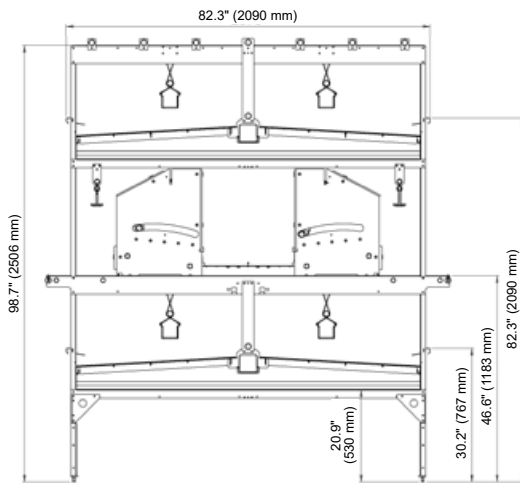


Count on Chore-Time for experience, reliability, performance and confidence.

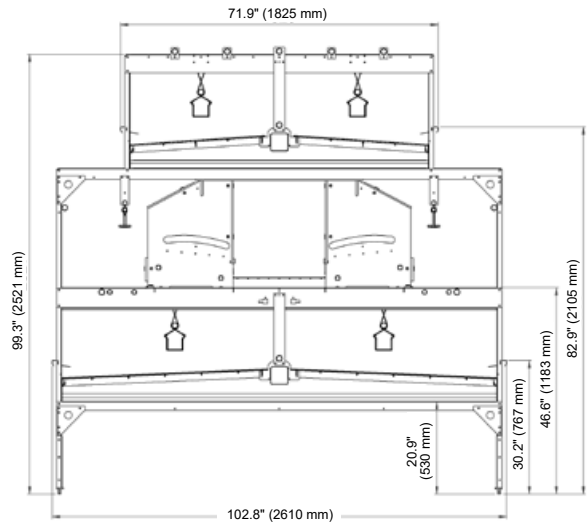
VIKE™ Aviary

Configurations

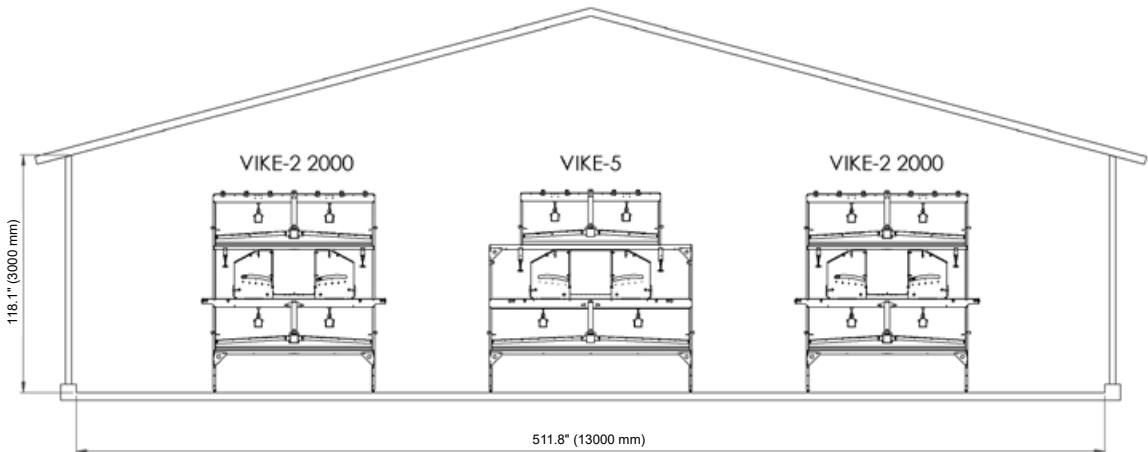
- **VIKE™-2**
 - 2 manure belt tiers and 1 nest tier.
 - Width: 71.9, 82.3, 102.8 inches (1825, 2090, 2610 mm).
- **VIKE™-5 Step**
 - 2 manure belt tiers and 1 nest tier.
 - Upper tier 71.9 inches (1825 mm) and lower tier 102.8 inches (2610 mm) in step configuration.



VIKE™-2



VIKE™-5 Step



Combine different VIKE™ configurations for optimal poultry house layout.



Let's grow together®

www.choretime.com

Chore-Time is a division of CTB, Inc.
A Berkshire Hathaway Company

Find your authorized independent distributor at choretime.com/distributor

Chore-Time
Milford, Indiana USA
info@choretime.com

Chore-Time Europe Sp. z o.o.
Strykowo, Poland
info@choretime.pl

Chore-Time Europe B.V.
Panningen, Netherlands
info@choretime.nl

Chore-Time Ede B.V.
Ede, Netherlands
info@choretime.nl